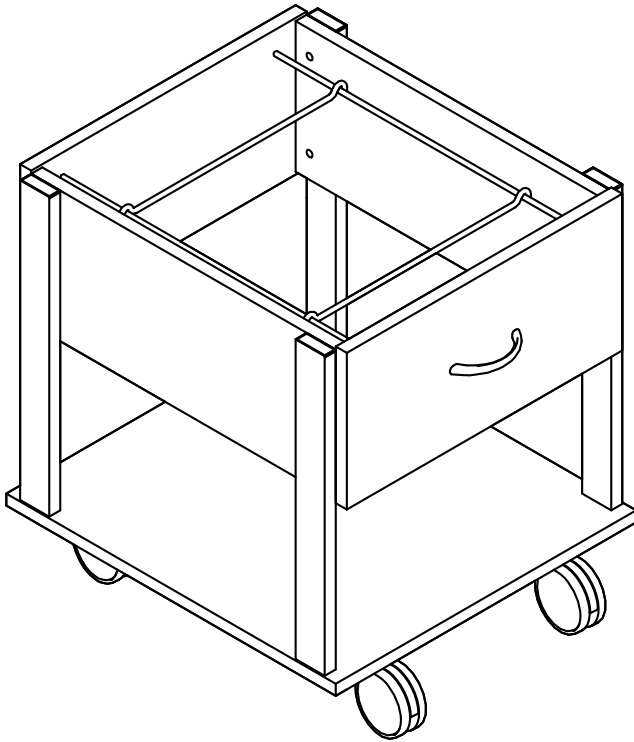




XT30 MOBILE FILE OPERATING INSTRUCTIONS



WARNING

1. Do not use this product unless all screws and bolts are securely tightened.
2. Check that all screws and bolts are tight every three months or as needed.
3. Dispose of packing material properly. Do not use plastic cover as head covering. It may cause suffocation.
4. Do not use this product as a stepladder.
5. Use this product for its intended purpose only.
6. **Intended for residential use only**

LIMITED WARRANTY

OSP Designs warrants, to the original purchaser its products to be free from defects in material and workmanship for a period of 90 days. Defects and damage from misuse, abuse, negligence, alteration, accident, vandalism, rusting, acts of nature or any other event beyond the control of OSP Designs is not covered. The warranty does not cover cosmetic damage that may result from normal use. Liability for incidental or consequential damages is excluded. The user assumes all risk of injury resulting from use of this product. This warranty gives you specific legal rights, and you may also have other rights which vary from state to state.

To make a warranty claim, contact Customer Service, provide model number, sales receipt and description of the problem. It is the customer's responsibility to prepay freight on any components returned to the factory. OSP Designs will pay return freight on components covered under terms of warranty.

Our quality standards are among the highest in the industry. Sometimes, no matter how hard we try, there are times when hardware is missing. Our Parts Department will do everything possible to promptly remedy the problem. Contact us via email parts@officestar.net, by Fax 1-909-930-5629, or toll free parts number 1-800-950-7262, Monday through Friday 8:00 a.m. - 5:00 p.m. Pacific Time. OSP Designs P.O. Box 3520 Ontario, California 91761 USA





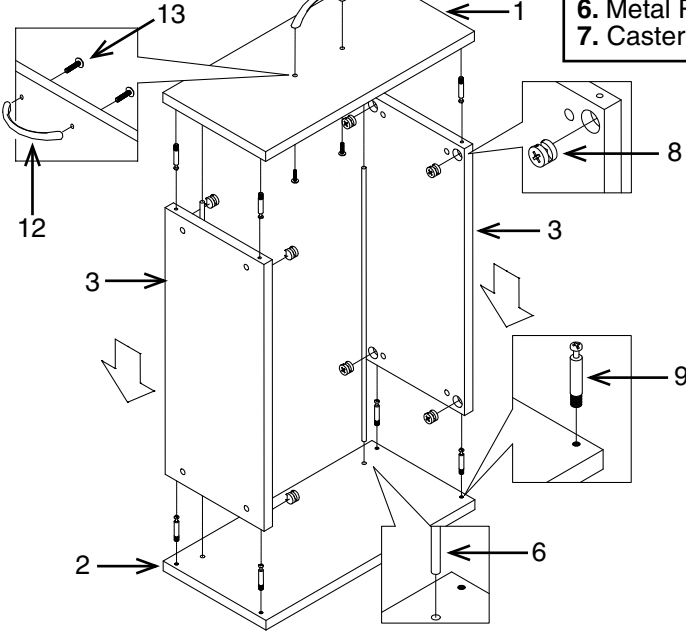
XT30 MOBILE FILE ASSEMBLY INSTRUCTIONS

IMPORTANT NOTE:

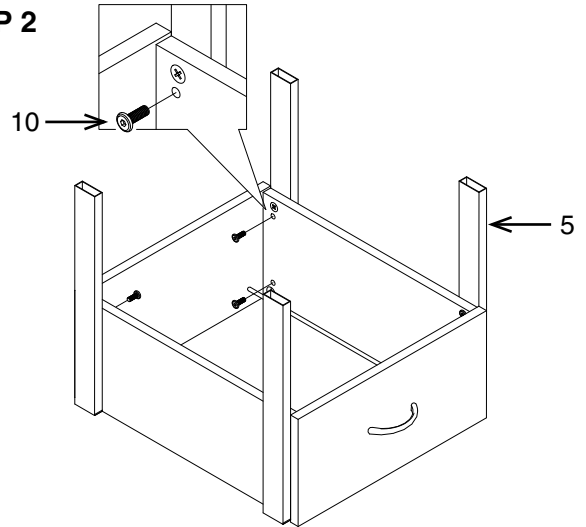
1. Use hand tools only for assembly as power tools may cause damage
2. Carefully remove any staples used for packaging.
3. Phillips Screwdriver also needed for assembly (not provided)

PART	QTY	PART	QTY
1. Front Panel	1	8. Cam Lock	8
2. Back Panel	1	9. Cam Lock Stud	8
3. Side Panel	2	10. Long Screw	12
4. Bottom Panel	1	11. Wood Screw	16
5. Metal Post	4	12. Handle	1
6. Metal Rod	2	13. Short Screw	2
7. Caster	4	14. Hanger Rod	2
		15. Plastic Caps	8
		16. Allen Wrench (not shown)	1

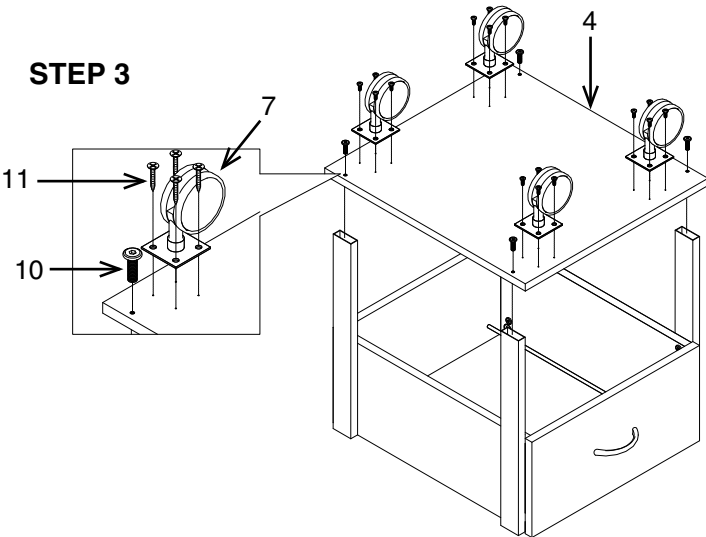
STEP 1



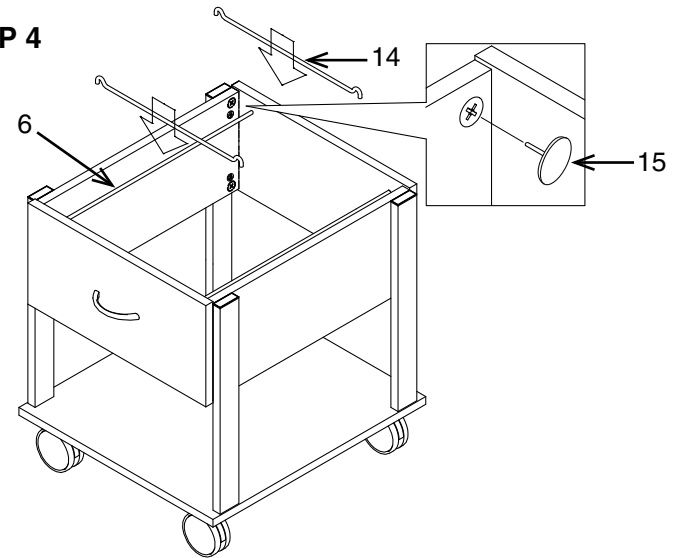
STEP 2



STEP 3



STEP 4



Remove all parts from carton, separate by part numbers indicated on parts list, and verify part quantities.

- STEP 1** Screw in four Cam Lock Studs (9) into Front Panel (1) and four Cam Lock Studs (9) into Back Panel (2), **FULLY TIGHTEN CAM LOCK STUDS (9)**, align and attach Side Panels (3) to Back Panel (2) using four Cam Locks (8), insert both Metal Rods (6) into Back Panel (2). Align and attach Front Panel (1) to Side Panels (3) and secure using four Cam Locks (8). **FULLY TIGHTEN CAM LOCKS (8) USING PHILLIPS SCREWDRIVER (not provided)**. Attach Handle (12) to Front Panel (1) using two Short Screws (13), **FULLY TIGHTEN SHORT SCREWS (13) USING PHILLIPS SCREWDRIVER (not provided)**
- STEP 2** Attach Metal Posts (5) to assembly using two Long Screws (10) for each Metal Post (5), **FULLY TIGHTEN LONG SCREWS (10) USING PHILLIPS SCREWDRIVER (not provided)**
- STEP 3** Attach Bottom Panel (4) to assembly using four Long Screws (10), secure Casters (7) to Bottom Panel (4) using four Wood Screws (11) for each Caster (7), **FULLY TIGHTEN WOOD SCREWS (11) USING PHILLIPS SCREWDRIVER (not provided) AND LONG SCREWS (10) USING ALLEN WRENCH (16)**.
- STEP 4** Place Hanger Rods (14) onto Metal Rods (6). Cover holes of Cam Lock Studs (9) using eight Plastic Caps (15).
- ATTENTION: MAKE SURE ALL SCREWS ARE FULLY TIGHTENED BEFORE USING MOBILE FILER.**