

leggett & platt®

fashion bed™

5950 West 51st Street - Chicago, IL 60638

Parts List For Euro Bed

HEADBOARD CARTON

(1) HEADBOARD PANEL-1

(13) WOOD SLATS-

(28 FOR FULL BED)

(28 FOR QUEEN / KING AND CAL KING)

FOOTBOARD CARTON

(2) FOOTBOARD PANEL-1

(5) WOOD LEGS-4

SIDE RAIL CARTON

(3) SIDE RAILS-2

(4) CENTER SUPPORT-1

(8) SUPPORT LEG-2 # 370102

(12) DOUBLE END PLASTIC CAPS-
(13 FOR FULL BED)

(14 FOR QUEEN / KING AND
CAL KING)

(14) SINGLE END PLASTIC CAPS-
(28 FOR FULL BED)
(28 FOR QUEEN / KING AND
CAL KING)

PART #370101 HARDWARE BAG FOR BED

(8) PLASTIC WASHERS-4

(7) 8MM X 35MM ALLEN HEAD SCREW-8 (PRE-INSTALLED)

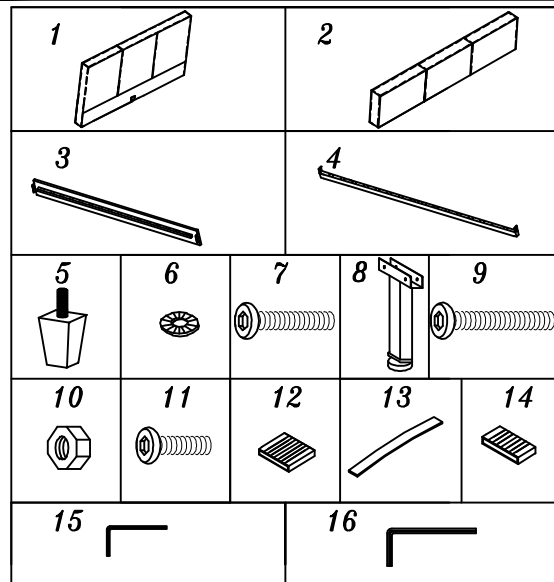
(9) 6MM X 40MM ALLEN HEAD SCREW-4

(10) 6MM HEX NUT-4

(11) 8MM X 25MM ALLEN HEAD SCREW-4 (PRE-INSTALLED)

(15) M8 ALLEN WRENCH-1

(16) M8 ALLEN WRENCH-1



Instruction Sheet

SAVE ALL PACKAGING MATERIALS UNTIL PRODUCT IS FULLY ASSEMBLED. HARDWARE AND SMALL PIECES MAY NOT BE SEEN AND COULD BE ACCIDENTALLY DISCARDED WITH PACKAGING MATERIALS.

Step 1 •Place plastic washer (6) over screw on wood leg (5) and secure under headboard (1) and footboard panel (2). SEE FIGURE 1

Step 2 •Secure side rails (3) to headboard panel (1). Use Allen wrench (16) to loosen screw (7) inserted in the headboard (1) panel 3 or 4 turns ; then insert metal bracket of side rail (3) over screws (7). SEE FIGURE 2

•Tighten screw (7) securely with Allen wrench (16).

•Repeat same steps on other side of the headboard and footboard panel (2).

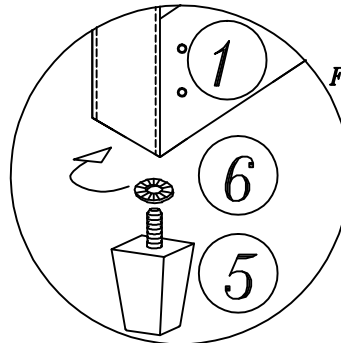


FIGURE 1

FIGURE 2

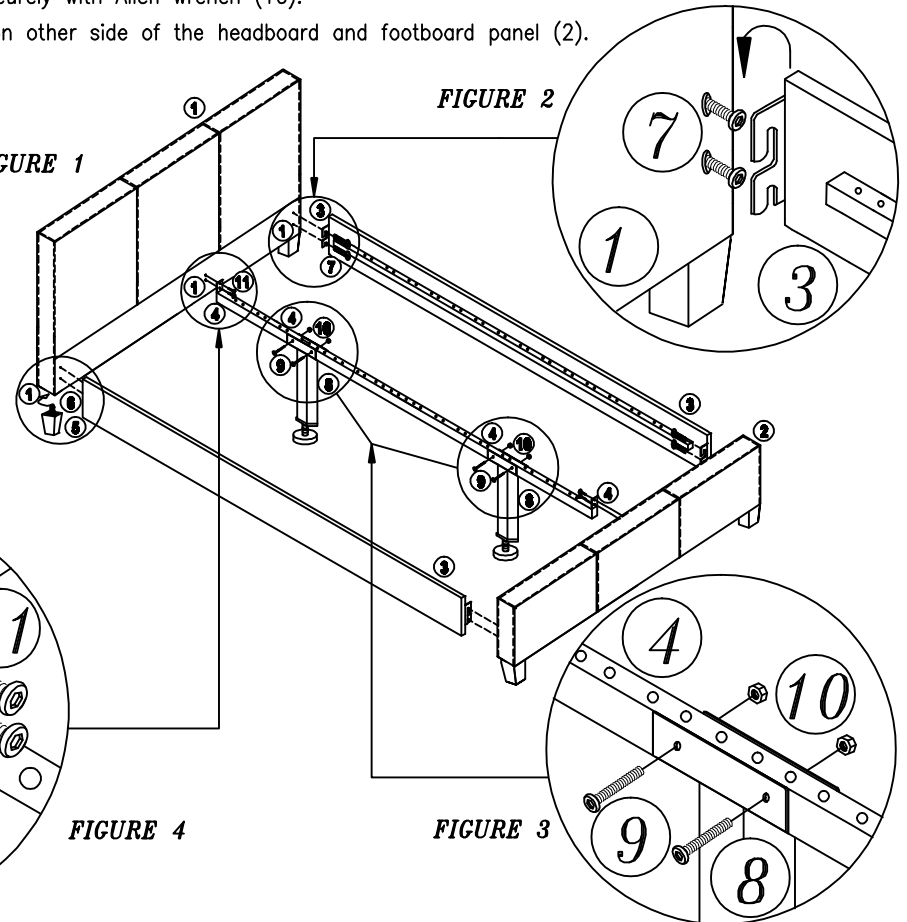


FIGURE 4

FIGURE 3

Step 3 •Secure support leg (8) on center support rail (4).

•Align support leg (8) with holes on Center support rail (4) and secure with screw (9) and hex nut (10) use Allen wrench (15). SEE FIGURE 3

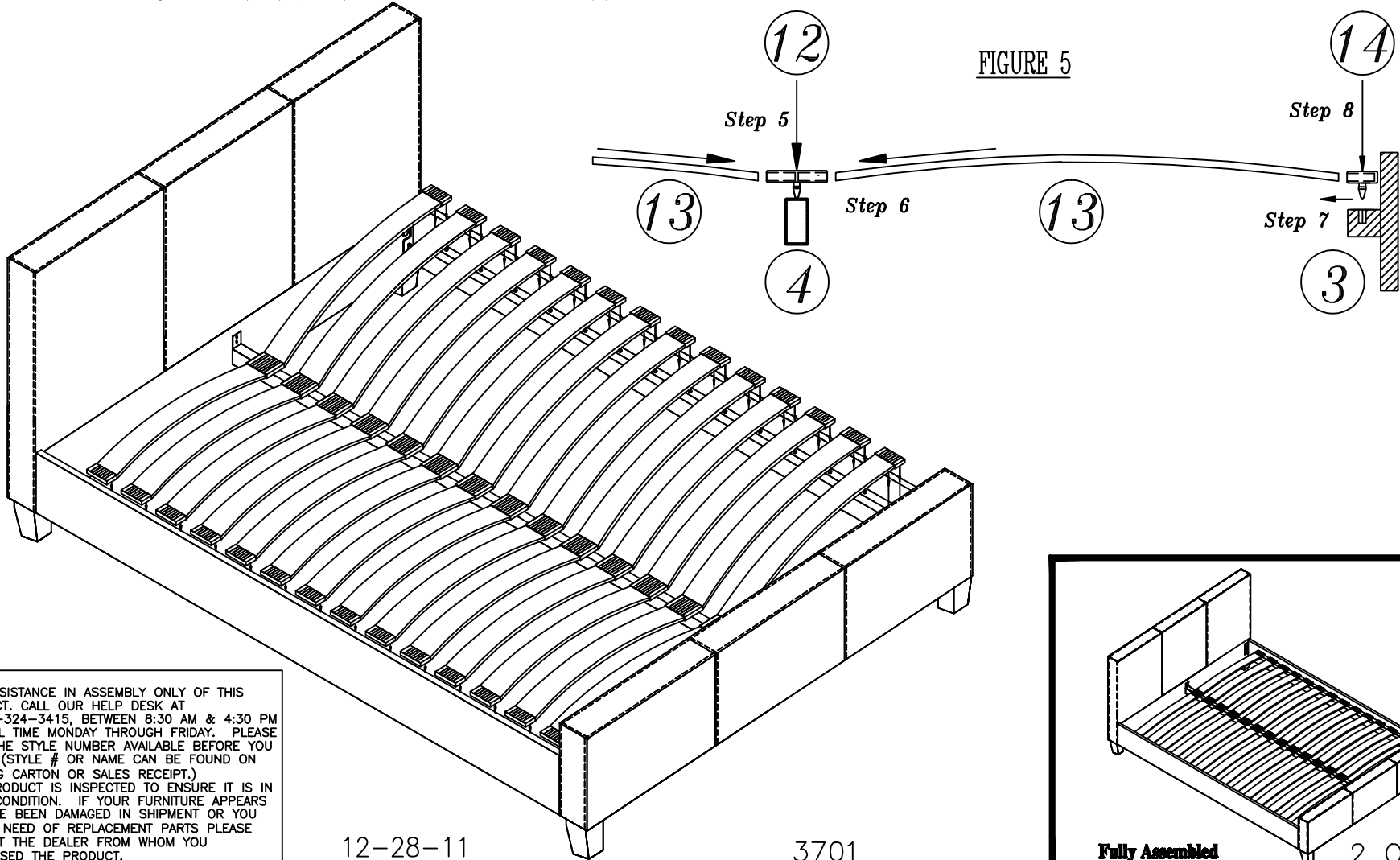
- Step 4**
- Secure center support rail (4) to headboard (1) and footboard panel (2).
 - Remove screw (11) from headboard (1) and footboard panel (2) with Allen wrench (16).
 - Align holes on center support Rail (4) bracket with holes on headboard (1) and footboard panel (2). SEE FIGURE 4
 - Insert screw (11) on center support rail (4) metal bracket and screw into holes on headboard (1) and footboard panel (2). SEE FIGURE 4
 - Tighten screw (11) securely with Allen wrench (16).

- Step 5**
- Insert double end cap (12) through center support rail (4) by pressing down into pilot holes in rail. SEE FIGURE 5

- Step 6**
- Insert wood slats (13) in double end caps (12). SEE FIGURE 5

- Step 7**
- Insert end caps (14) on slats (13). SEE FIGURE 5

- Step 8**
- Insert single end caps (14) in pilot holes in wood side rail (3). SEE FIGURE 5



FOR ASSISTANCE IN ASSEMBLY ONLY OF THIS PRODUCT. CALL OUR HELP DESK AT 1-800-324-3415, BETWEEN 8:30 AM & 4:30 PM CENTRAL TIME MONDAY THROUGH FRIDAY. PLEASE HAVE THE STYLE NUMBER AVAILABLE BEFORE YOU CALL. (STYLE # OR NAME CAN BE FOUND ON PACKING CARTON OR SALES RECEIPT.) OUR PRODUCT IS INSPECTED TO ENSURE IT IS IN GOOD CONDITION. IF YOUR FURNITURE APPEARS TO HAVE BEEN DAMAGED IN SHIPMENT OR YOU ARE IN NEED OF REPLACEMENT PARTS PLEASE CONTACT THE DEALER FROM WHOM YOU PURCHASED THE PRODUCT.

12-28-11

3701

Fully Assembled

2 OF 2