

leggett & platt®

fashion bed™

6755 W. 65th Street Bedford Park, IL 60638

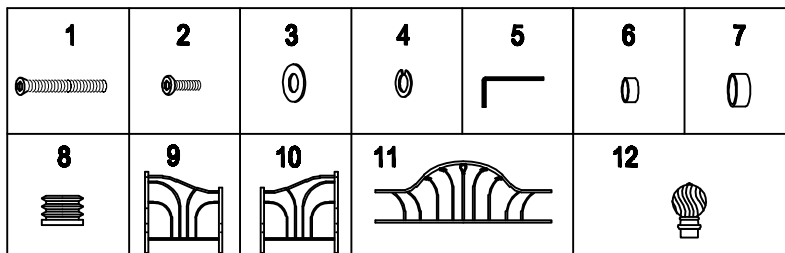
Parts List For Emma Daybed

**HARDWARE BAG FOR DAYBED**

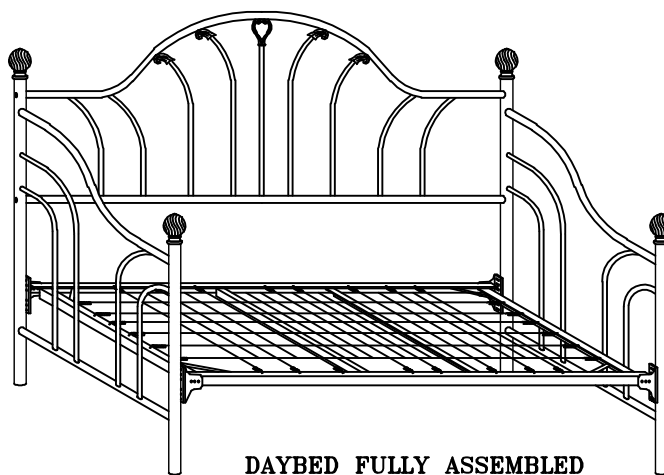
- (1) 1/4-20 x 2 1/2" COUNTER SUNK ALLEN HEAD SCREW-4
- (2) 1/4-20 x 1" FLAT ALLEN HEAD SCREW-8
- (3) 5/8" OD METAL WASHER-8
- (4) 1/4" ID LOCK WASHER-8
- (5) ALLEN WRENCH-1
- (6) 3/4" ID CHECK RING (BRASS)-2
- (7) 1" ID CHECK RINGS (BRASS)-2
- (8) PLASTIC GLIDE-4

**DAYBED PARTS:**

- (9) LEFT SIDE-1
- (10) RIGHT SIDE-1
- (11) BACK PANEL-1
- (12) FINIAL-4



SAVE ALL PACKAGING MATERIALS UNTIL PRODUCT IS FULLY ASSEMBLED. HARDWARE AND SMALL PIECES MAY NOT BE SEEN AND BE ACCIDENTALLY DISCARDED WITH PACKAGING MATERIALS.



DAYBED FULLY ASSEMBLED

**Instruction Sheet**

- For ease of assembly you will need a helper.
- Periodically retighten all screws.

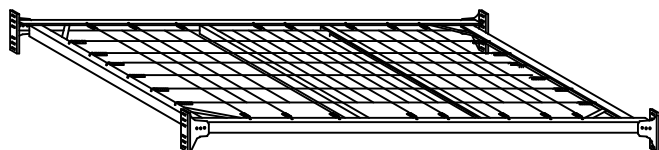
**STEP 1- Locate hardware bag for Daybed & Link Spring Assembly.**

- Hardware bag for daybed assembly is located inside the daybed box.
- Link spring - follow manufacturer instructions to assembly end brackets to link spring before attaching to daybed

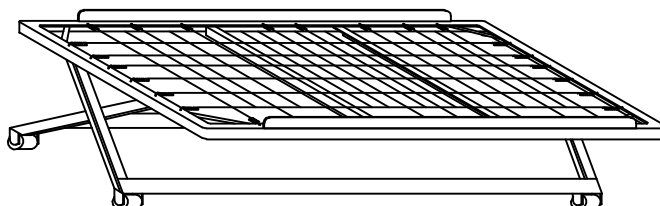
**OPTIONAL**

"LINK SPRING SOLD SEPARATELY"

"TRUNDLE UNIT SOLD SEPARATELY"



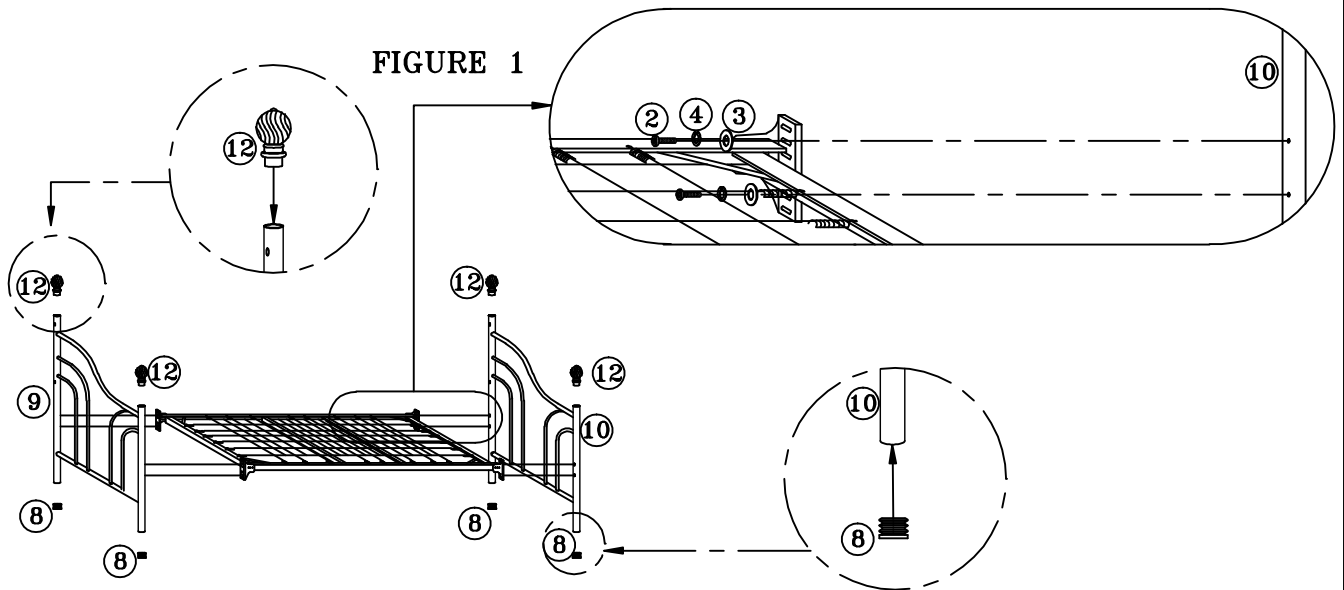
LINK SPRING FULLY ASSEMBLED



# Instruction Sheet

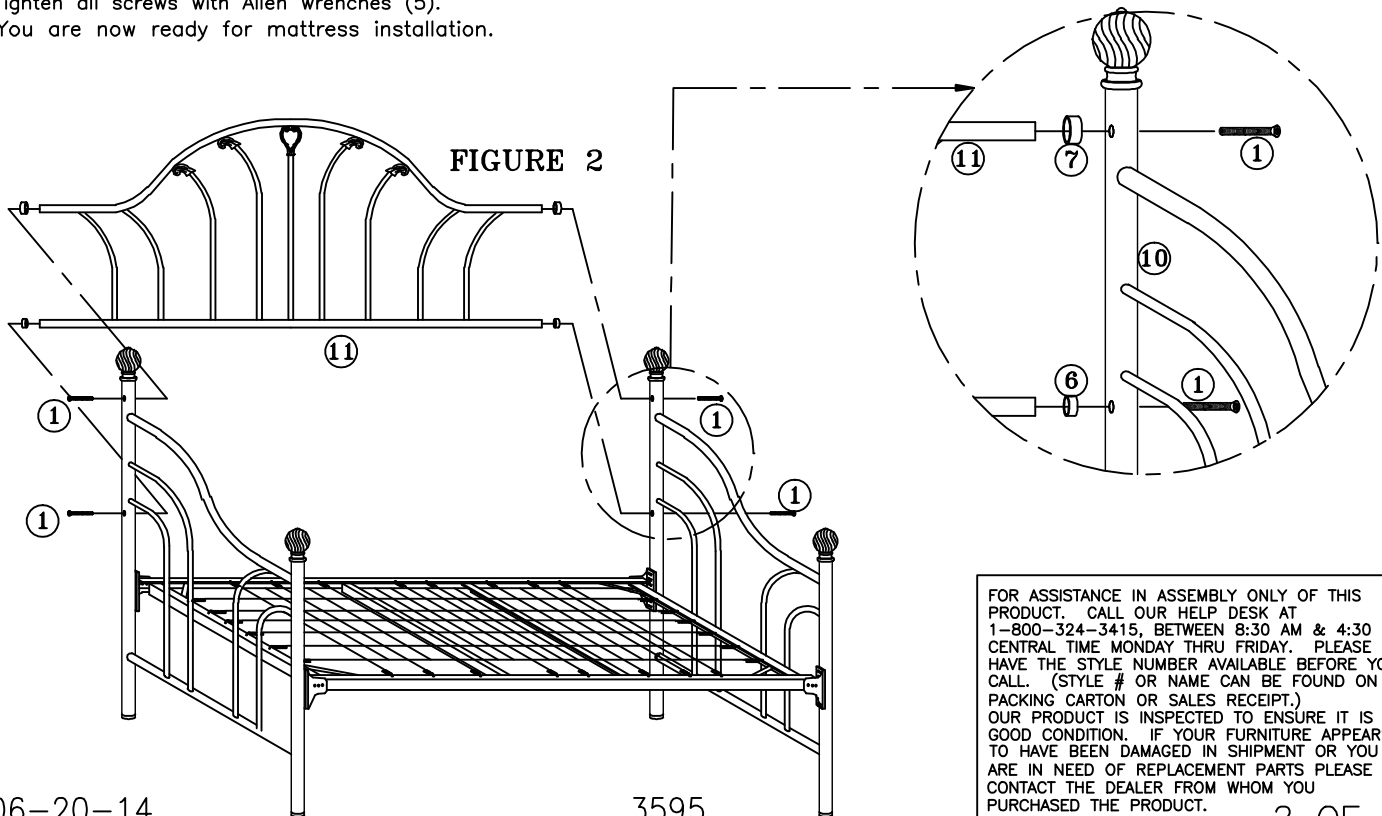
## STEP 2- Attachment of Link Spring to Daybed Sides.

- Insert plastic glides (8) onto bottom of side posts. See Figure 1
- Bolt one metal bracket of the link spring to one daybed side post.
- For each post use 2 screws (2), 2 metal washers (3), and 2 lock washers (4).
- Loosely tighten (See Figure 1)
- Repeat on other daybed posts.
- Push in finials (12) onto top of side posts. See Figure 1



## STEP 3- Attachment of Back Panel to Daybed Sides.

- Align rail ends of back panel (11) to holes in right side (10) back post. (See Figure 2)
- Secure panel to post by using screws (1) and check rings (7 & 6). DO NOT TIGHTEN SCREWS.
- Repeat same step for assembly of left side (9) back post to back panel.  
(See Figure 2)
- Tighten all screws with Allen wrenches (5).
- You are now ready for mattress installation.



FOR ASSISTANCE IN ASSEMBLY ONLY OF THIS PRODUCT. CALL OUR HELP DESK AT 1-800-324-3415, BETWEEN 8:30 AM & 4:30 PM CENTRAL TIME MONDAY THRU FRIDAY. PLEASE HAVE THE STYLE NUMBER AVAILABLE BEFORE YOU CALL. (STYLE # OR NAME CAN BE FOUND ON PACKING CARTON OR SALES RECEIPT.) OUR PRODUCT IS INSPECTED TO ENSURE IT IS IN GOOD CONDITION. IF YOUR FURNITURE APPEARS TO HAVE BEEN DAMAGED IN SHIPMENT OR YOU ARE IN NEED OF REPLACEMENT PARTS PLEASE CONTACT THE DEALER FROM WHOM YOU PURCHASED THE PRODUCT.