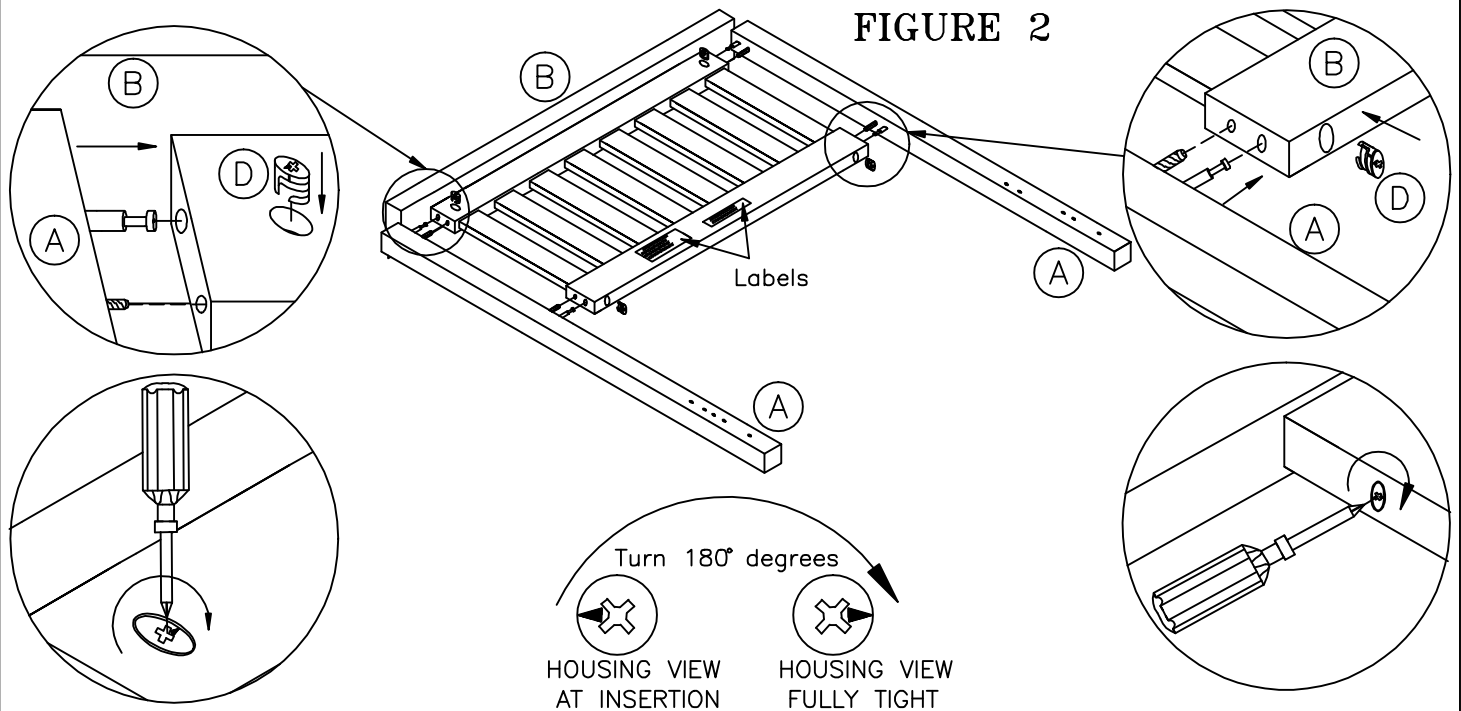


Step 2

Instruction Sheet

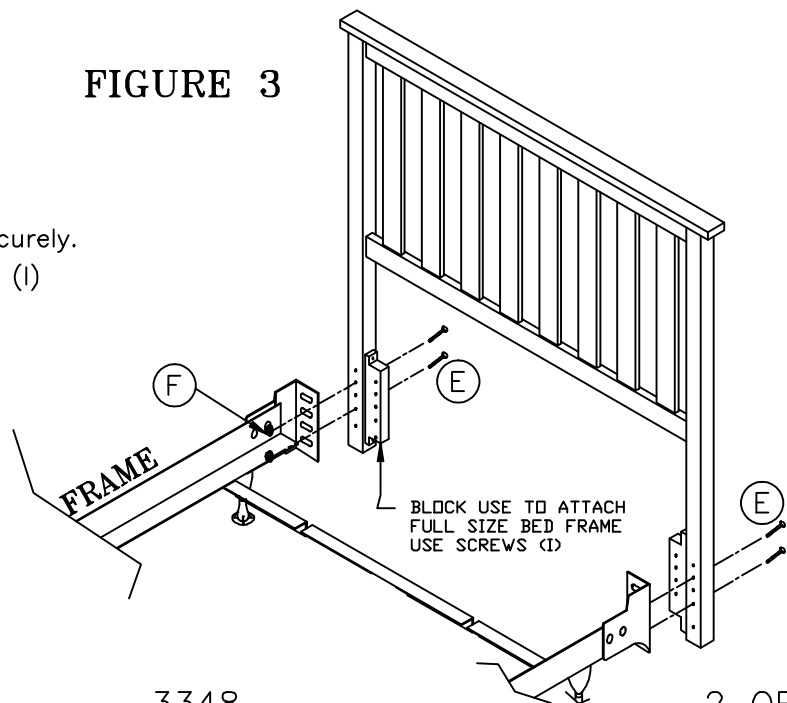
- Place headboard panel (B) facing down on a clean and dry surface, with labels visible.
- Align holes on end of the grill rails (B) with the connecting bolt (C) and wood dowels (G). (See Figure 2)
- Insert self locking housing (D) into the back side of the top rails of the grill panel (B).
The arrow mark on the self locking housing, should be pointing towards the steel pin (C) in post (A). (See Figure 2)
- Secure the post to the grill panel by turning the self locking housing (D) to the right -180° degrees with phillips screwdriver.
- Insert self locking housing (D) on the under side of the bottom rails of the grill panel (B). Secure the post to grill panel by turning the self locking housing (D) to the right -180 degrees with phillips screwdriver.
MAKE SURE SELF LOCKING HOUSING (D) ARE FULLY TIGHTENED.



Step 3

- Insert screw (E) through post (A).
 - Align screws in headboard panel post to holes in frame bracket. Secure screw with nut (F). (See Figure 3)
 - Repeat on other headboard post.
 - Use wrench (H) to tighten all screws securely.
- NOTE: For full size assembly use screws (I) that are included in the hardware.

FIGURE 3



leggett & platt®

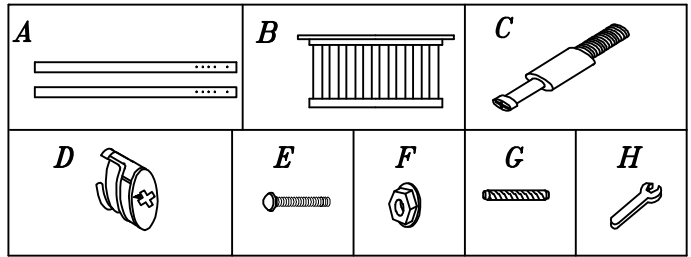
fashion bed™

6755 W. 65th Street Bedford Park, IL 60638

Part List For Belmont Headboard

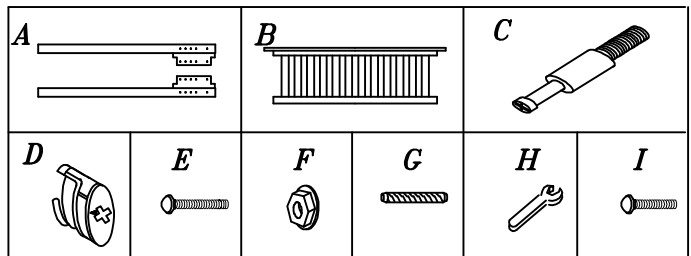
PARTS IN TWIN HEADBOARD BOX:

- (A) HEADBOARD POSTS-2
- (B) HEADBOARD GRILL-1
- PART #334801 HARDWARE FOR HB
- (C) 1/4-20 X 54mm CONNECTING BOLT-4
- (D) SELF-LOCKING HOUSING-4
- (E) 1/4-20 2 3/4" STOVE HEAD BOLT-4
- (F) 1/4-20 LOCK NUT W/WASHER-4
- (G) 40mm X 10mm WOOD DOWEL-4
- (H) OPEN WRENCH

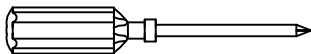


PARTS IN FULL & QUEEN HEADBOARD BOX:

- (A) HEADBOARD POSTS-2
- (B) HEADBOARD GRILL-1
- PART #334802 HARDWARE FOR HB
- (C) 1/4-20 X 54mm CONNECTING BOLT-4
- (D) SELF-LOCKING HOUSING-4
- (E) 1/4-20 2 3/4" STOVE HEAD BOLT-4
- (F) 1/4-20 LOCK NUT W/WASHER-4
- (G) 40mm X 10mm WOOD DOWEL-4
- (H) OPEN WRENCH
- (I) 1/4-20 2" STOVE HEAD BOLT-4



TOOLS NEEDED: PHILLIPS SCREWDRIVER
(NOT PROVIDED)



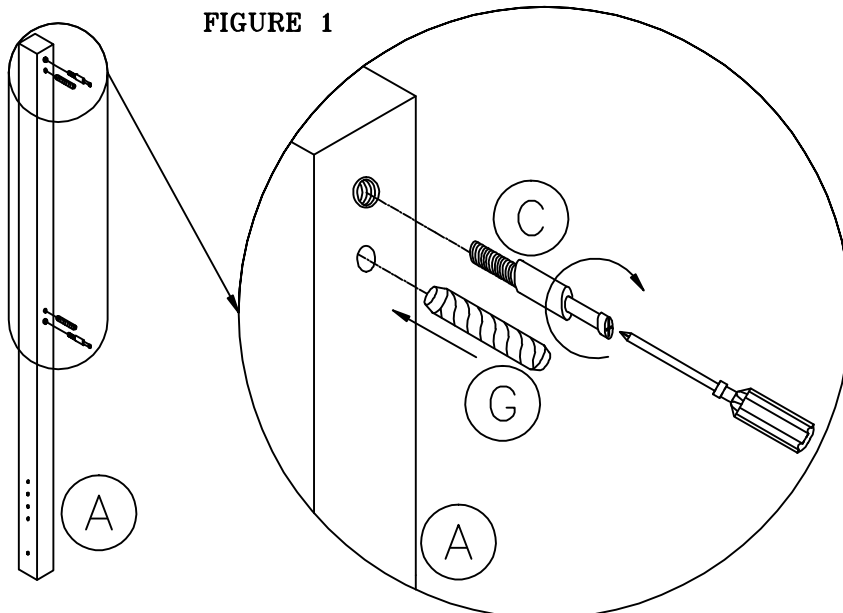
SAVE ALL PACKAGING MATERIALS UNTIL PRODUCT IS FULLY ASSEMBLED. HARDWARE AND SMALL PIECES MAY NOT BE SEEN AND BE ACCIDENTALLY DISCARDED WITH PACKAGING MATERIALS.

Step 1

Instruction Sheet

- Screw connecting bolt (C) into posts (A) using phillips screwdriver. (See Figure 1) Do not over tighten.
- Insert wood dowels (G) into posts (A). (See Figure 1)

FIGURE 1



FOR ASSISTANCE IN ASSEMBLY ONLY OF THIS PRODUCT. CALL OUR HELP DESK AT 1-800-324-3415, BETWEEN 8:30 AM & 4:30 PM CENTRAL TIME MONDAY THRU FRIDAY. PLEASE HAVE THE STYLE NUMBER AVAILABLE BEFORE YOU CALL. (STYLE # OR NAME CAN BE FOUND ON PACKING CARTON OR SALES RECEIPT.) OUR PRODUCT IS INSPECTED TO ENSURE IT IS IN GOOD CONDITION. IF YOUR FURNITURE APPEARS TO HAVE BEEN DAMAGED IN SHIPMENT OR YOU ARE IN NEED OF REPLACEMENT PARTS PLEASE CONTACT THE DEALER FROM WHOM YOU PURCHASED THE PRODUCT.