

Fashion Bed Group

A Division of Leggett & Platt Incorporated
5950 West 51st Street - Chicago, IL 60638

Part List for Avery Bed

BED COMPONENTS:

- (9) HEADBOARD PANEL-1
- (10) HEADBOARD RIGHT LEG-1
- (11) HEADBOARD LEFT LEG-1
- (12) FOOTBOARD PANEL-1
- (13) SIDE RAIL-2
- (14) END CROSS SLAT-2
- (15) CENTER CROSS SLAT-2
- (16) CENTER SUPPORT-1
- (17) HEADBOARD BOTTOM RAIL-1
- (18) SUPPORT LEGS. -4 #365603

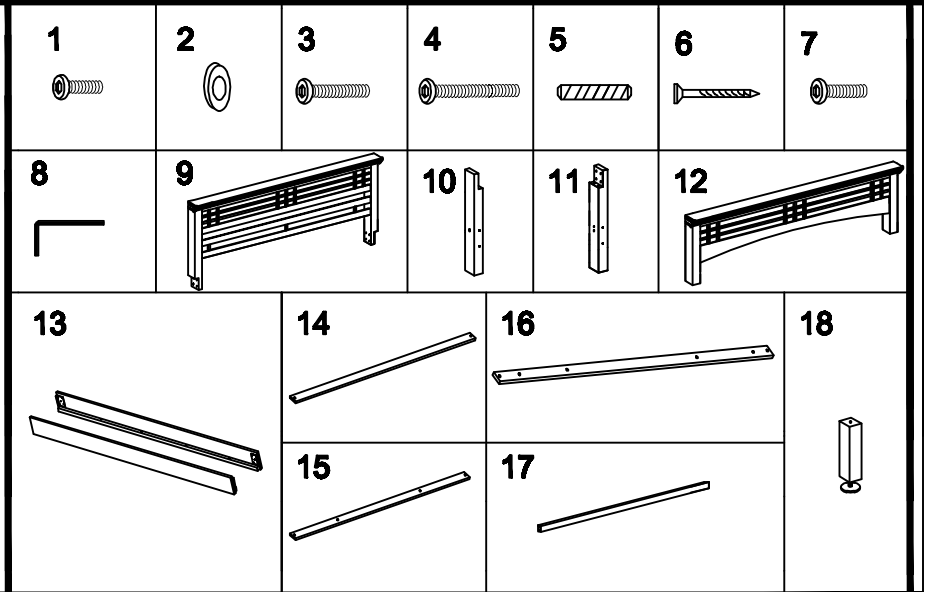
NOTE: SUPPORT LEGS FOR (6/6-6/0) -6

HARDWARE BAG # 365601 (FOR 4/6-5/0) HARDWARE BAG # 365602 (FOR 6/6-6/0)

- (1) 1/4-20 X 3/4" FLAT ALLEN HEAD SCREW-8
- (2) 1/4" ID X 3/4" OD FLAT METAL WASHERS-8
- (3) 1/4-20 X 1 1/2" FLAT ALLEN HEAD SCREW-8
- (4) 1/4-20 X 2 3/4" FLAT ALLEN HEAD SCREW-2
- (5) 10MM X 50MM WOOD DOWELS-10
- (6) 1 1/4" LONG PHILIPS HEAD WOOD SCREW-8
- (7) 1/4-20 1 1/4" FLAT ALLEN HEAD SCREW-8

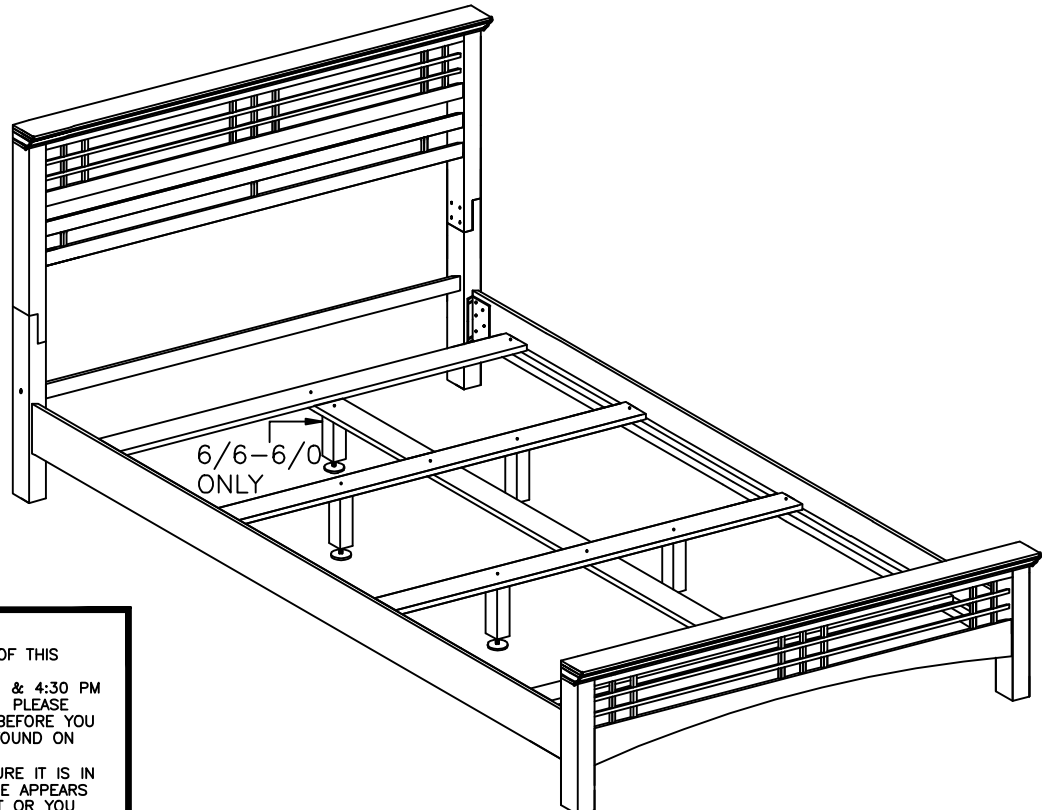
NOTE : (6/6-6/0) -10

- (8) ALLEN WRENCH-1



SAVE ALL PACKAGING MATERIALS UNTIL PRODUCT IS FULLY ASSEMBLED. HARDWARE AND SMALL PIECES MAY NOT BE SEEN AND BE ACCIDENTLY DISCARDED WITH PACKAGING MATERIALS.

PRODUCT FULLY ASSEMBLED



FOR ASSISTANCE IN ASSEMBLY ONLY OF THIS PRODUCT, CALL OUR HELP DESK AT 1-800-324-3415, BETWEEN 8:30 AM & 4:30 PM CENTRAL TIME MONDAY THRU FRIDAY. PLEASE HAVE THE STYLE NUMBER AVAILABLE BEFORE YOU CALL. (STYLE # OR NAME CAN BE FOUND ON PACKING CARTON OR SALES RECEIPT.) OUR PRODUCT IS INSPECTED TO ENSURE IT IS IN GOOD CONDITION. IF YOUR FURNITURE APPEARS TO HAVE BEEN DAMAGED IN SHIPMENT OR YOU ARE IN NEED OF REPLACEMENT PARTS PLEASE CONTACT THE DEALER FROM WHOM YOU PURCHASED THE PRODUCT.

Instruction Sheet

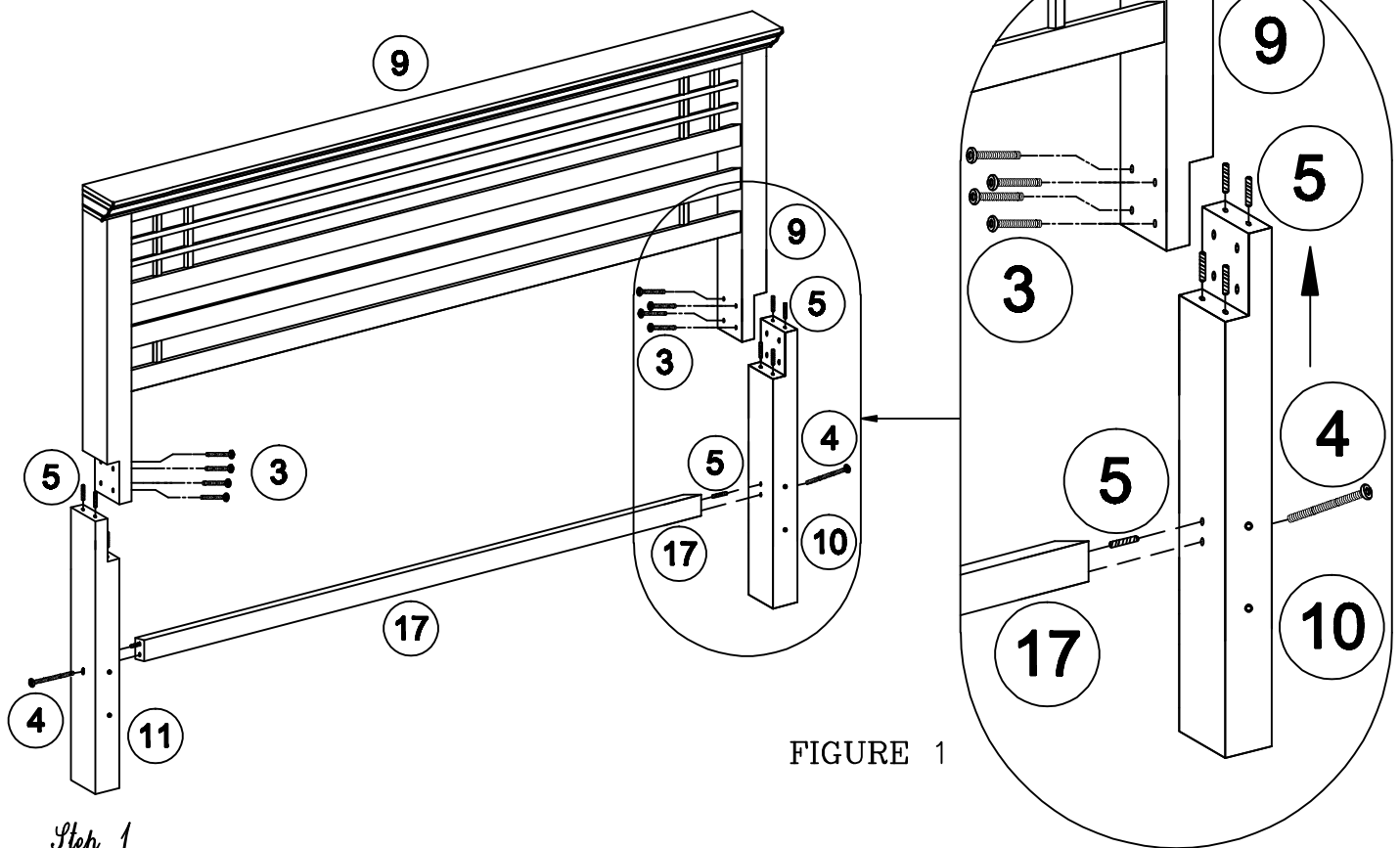


FIGURE 1

Step 1

- Insert wood dowels (5) into top of leg extensions (10/11) and bottom rail (17). See Figure 1
- Now insert legs (10) into bottom of headboard panel (9) post. Secure leg extensions to headboard post with screw (3) use allen wrench (8). HAND-TIGHTEN "Do not tighten screws". See Figure 1
- Secure bottom rail (17) to headboard leg (10) with screw (4) and repeat same steps with headboard leg (11).
- Tighten all the screws securely using allen wrench (8).

Step 2

- Align holes in side rails (13) metal bracket with holes in headboard post. See Figure 2
- Secure connection with screw (1) and metal washer (2).
HAND-TIGHTEN "DO not tighten the screws". Repeat on other side of the headboard panel.
- Repeat same step for assembly of footboard panel (12) to side rails (13).

Step 3

- Align holes on top of support legs (18) with holes on slats (15). See Figure 3
- Secure support legs (18) with screw (7) use allen wrench (7).
NOTE: Attach the support legs (18) to center support (16) if you have King or Cal. king size bed.
- Place slats (14/15) on side rail (13) cleat as show. See Figure 5

Step 4

- Align holes on center support rail (16) with center holes on slats (14/15). See Figure 4
- Secure center support rail (15) to slats (13/14) with screw (7) use allen wrench (8).

Step 5

- Secure slats (14/15) on side rail (13) cleat use screw (6). See Figure 5

Instruction Sheet

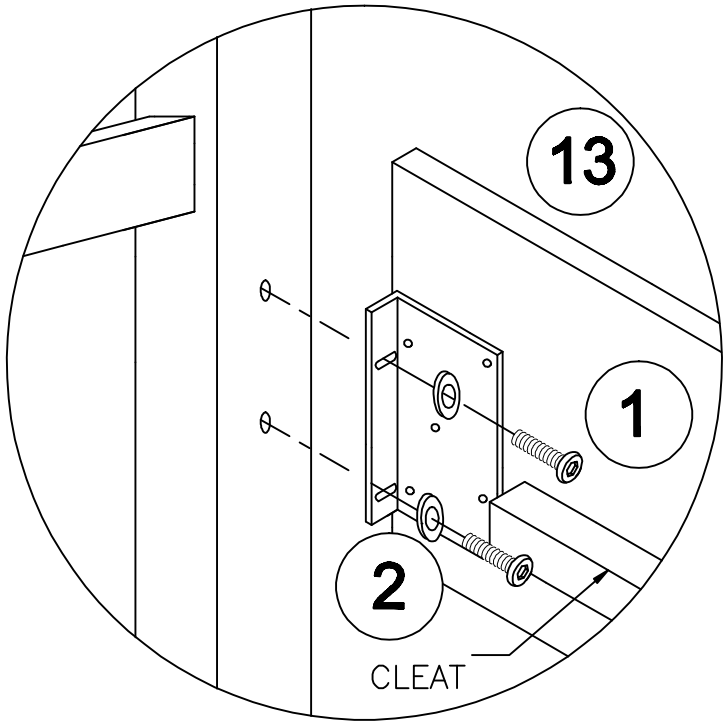


FIGURE 2

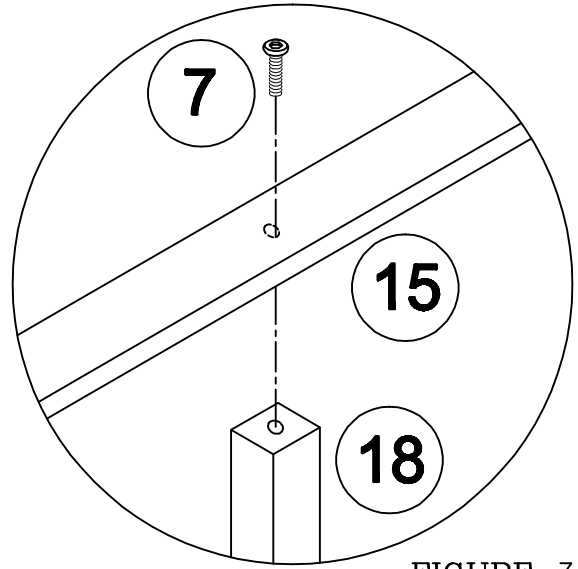


FIGURE 3

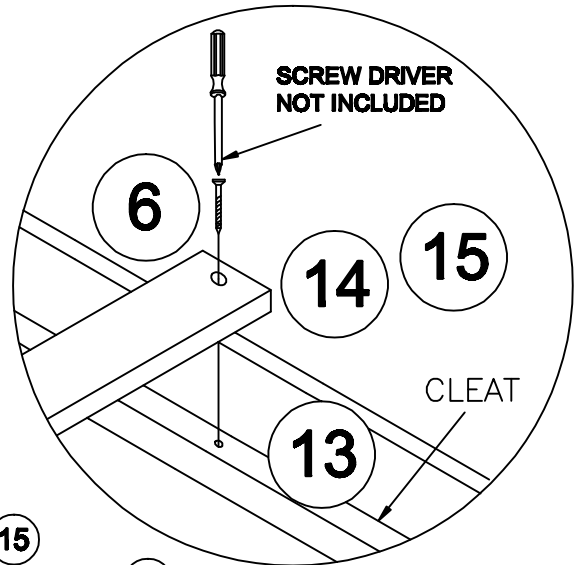


FIGURE 5

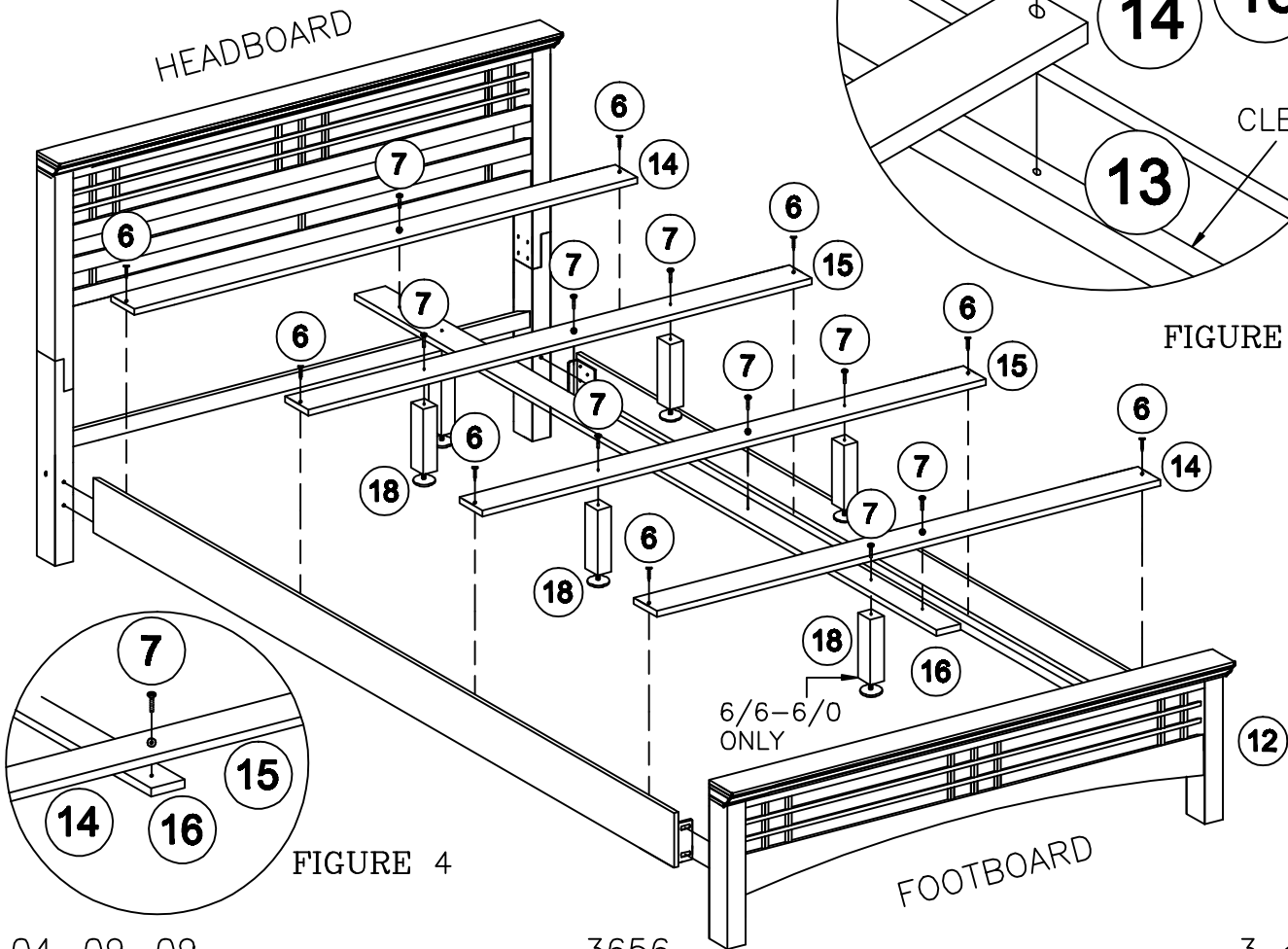


FIGURE 4