

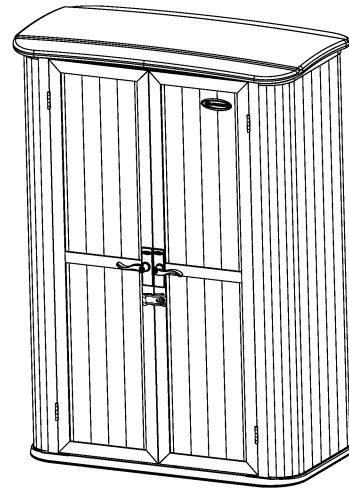


# OWNER'S MANUAL

## WRS4200 Large Vertical Hybrid Shed

### Tools Required

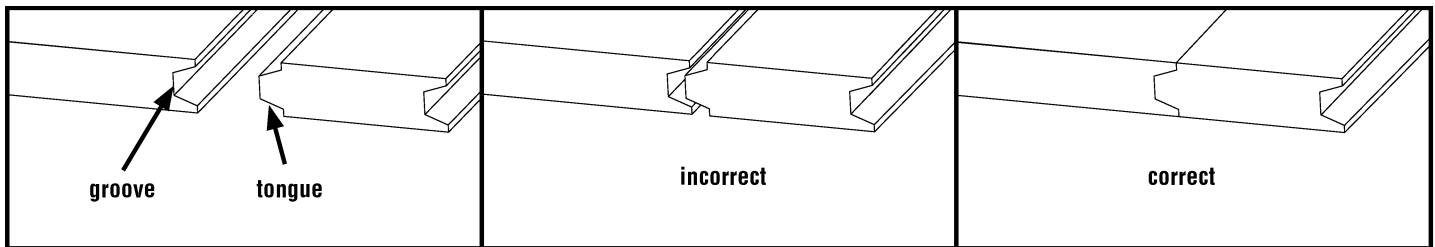
- Phillips Screwdriver
- Measuring Tape
- Power Drill & 3/32" Bit
- Bar Clamps
- Ladder
- Pencil



**Assistance is required during assembly.**

### WARNING

- Not intended for storage of flammable or caustic chemicals.
- Not intended for use by children. This is not a toy box.
- This product may become susceptible to impact damage in freezing temperatures.
- Do not store near excessive heat.
- DO NOT stand, sit, or store items on storage shed roof.
- Do not use shelves to store heavy items.
- Do not leave doors open in windy conditions.
- If shed is empty and outdoors, place weight inside on floor to weigh it down to prevent tipping in high winds.



tongue and groove insertion

### Please read before you begin construction.

Wood parts of the shed fit together with tongue and groove joints. **It is critical that the tongue be FULLY INSERTED into the groove. Have a second person hold parts together when attaching tongue and groove joints.** Failure to fully insert the tongue into the groove, across the entire length of the joint, could result in difficulties attaching the roof and the doors.

**All wood and plastic parts are letter stamped for easy identification.** When a lettered part is referenced in the manual, locate the correct part by matching the letter stamp on the part with the letter referenced in the manual.

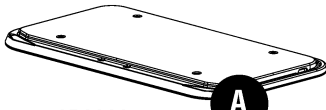
**Read instructions prior to assembly.** This product contains parts that can be damaged if incorrectly assembled. **Please follow instructions.** SunCast is not responsible for replacing parts damaged due to incorrect assembly.

**Check for all parts before you begin assembly.** Using the provided parts check list on pages 2 - 3, verify that you have all the parts required to construct your shed model.

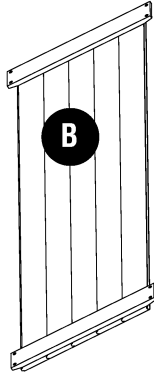
**Natural materials, such as wood, will vary in color, size and flatness.** Actual fit of parts may require adjustment during assembly.

Quality Control No.

# PARTS



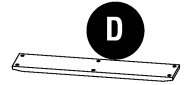
**#0B00007**  
Floor



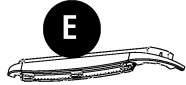
**#0670047**  
Side Panel  
x2



**#0670048**  
Corner Panel  
x4



**#0630621**  
Side Support Brace  
x4



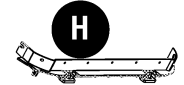
**#0102133**  
Right Top Connector



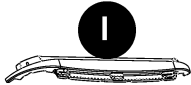
**#0B00005**  
Roof



**#0630618**  
Right Face Frame



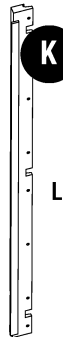
**#0102137**  
Right Bottom Connector



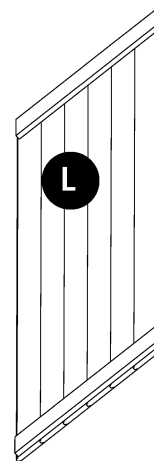
**#0102134**  
Left Top Connector



**#0102138**  
Left Bottom Connector



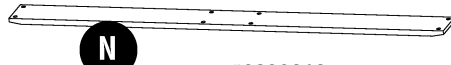
**#0630617**  
Left Face Frame



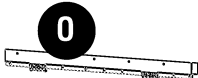
**#0670046**  
Back Panel  
x2



**#0630615**  
Filler Board



**#0630616**  
Back Support Brace  
x2



**#0102139**  
Left Back Bottom Connector



**#0102140**  
Right Back Bottom Connector



**#0102135**  
Left Back Top Connector



**#0102136**  
Right Back Top Connector



**#0630619**  
Left Door



**#0630620**  
Right Door



**#0280385**  
Steel Header

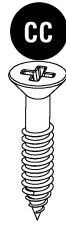
# HARDWARE



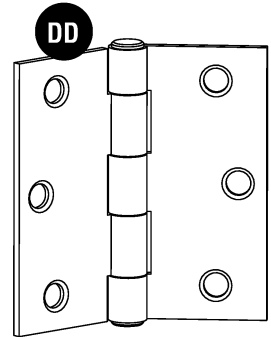
**AA**  
#0630627  
Screw  
x39



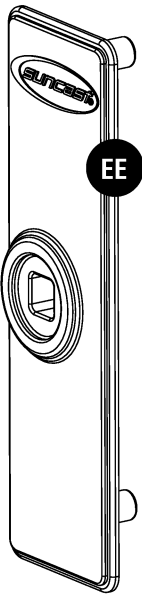
**BB**  
#0630629  
Washer Head Screw  
x56



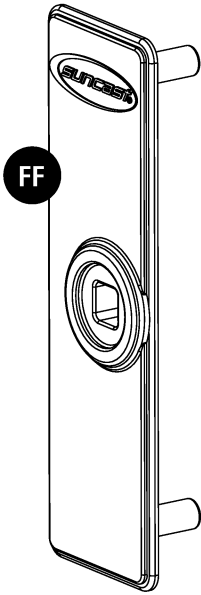
**CC**  
#0630642  
1" Wood Screw  
x89



**DD**  
#0630623  
Hinge  
x4



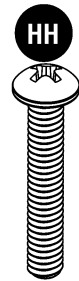
**EE**  
#0630626  
Left Face  
Plate



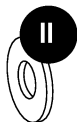
**FF**  
#0630625  
Right Face Plate



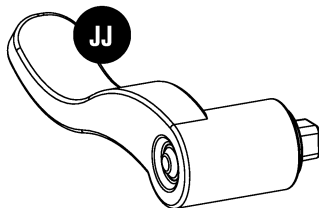
**GG**  
#0630630  
3/4" Machine Screw  
x4



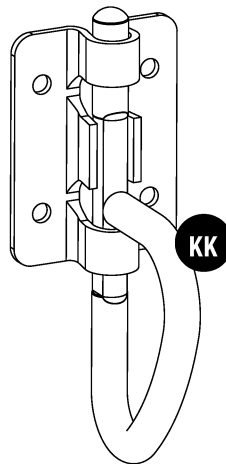
**HH**  
#0630631  
1 1/2" Machine Screw  
x2



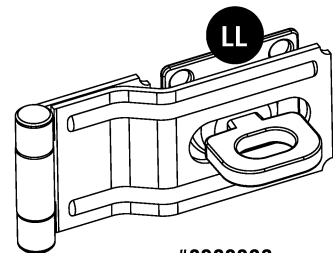
**II**  
#0630628  
Washer  
x6



**JJ**  
#0630624  
Handle  
x2



**KK**  
#0280384  
Slide Bolt

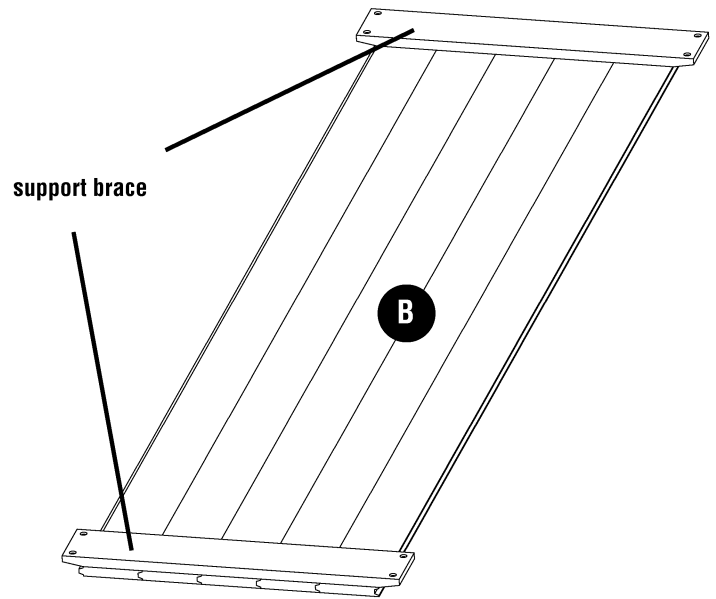


**LL**  
#0280386  
Swivel Hasp

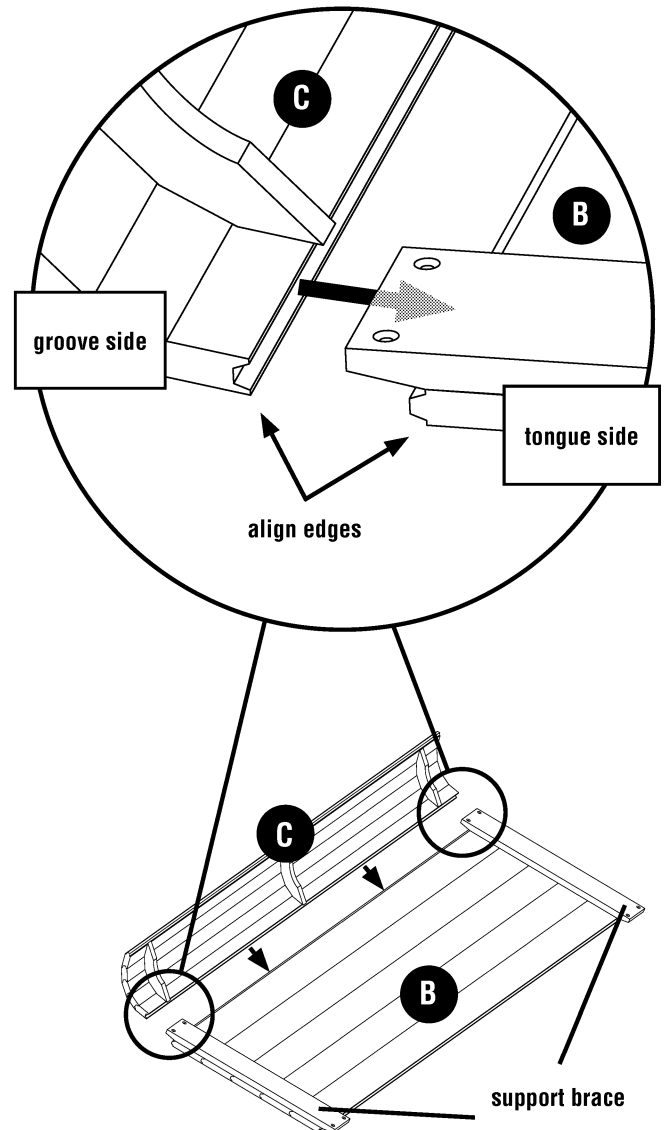
---

## ASSEMBLY INSTRUCTIONS

1. Lay one Side Panel (B) on the ground with the support braces facing up.

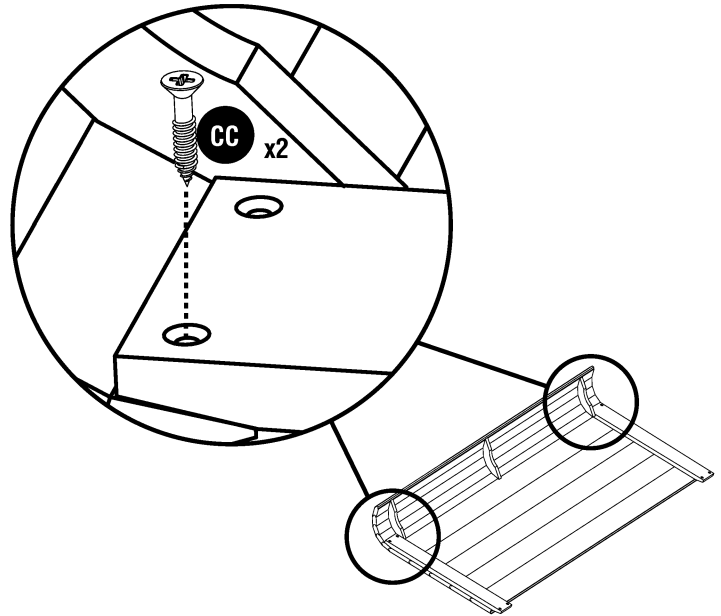


2. Place "groove side" of one Corner Panel (C) under the support braces on the "tongue side" of Side Panel (B). **FULLY INSERT** tongue into groove while aligning top and bottom edges to edges of Side Panel.

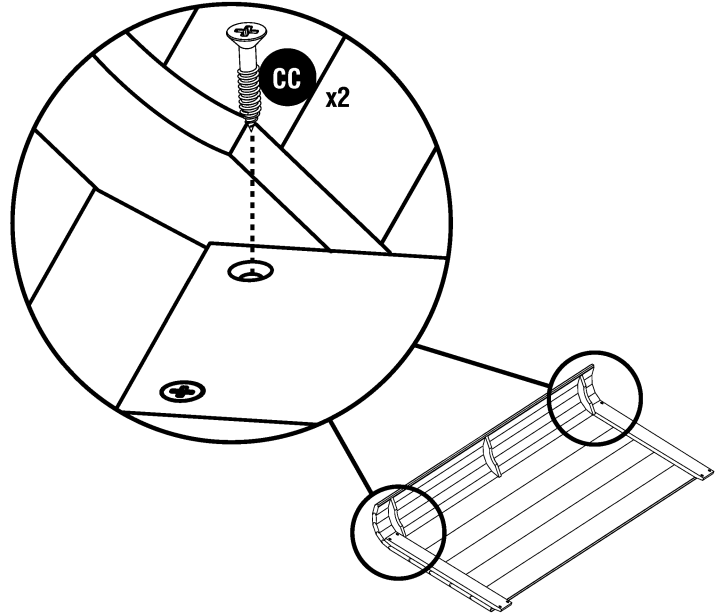


3. **NOTE: DO NOT attach tongue and groove joints until they are fully inserted.** See page 4 for more details.

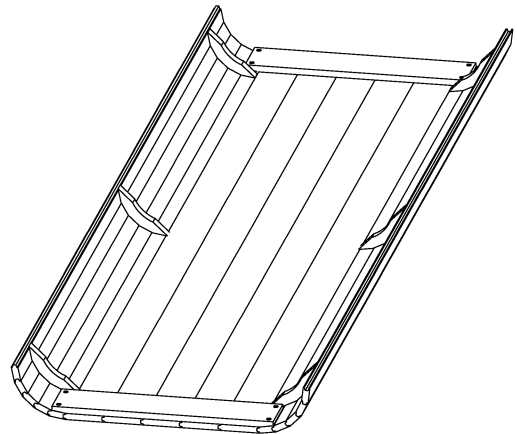
Attach the ends of Corner Panel by inserting one 1" Wood Screw (CC) at each support brace.



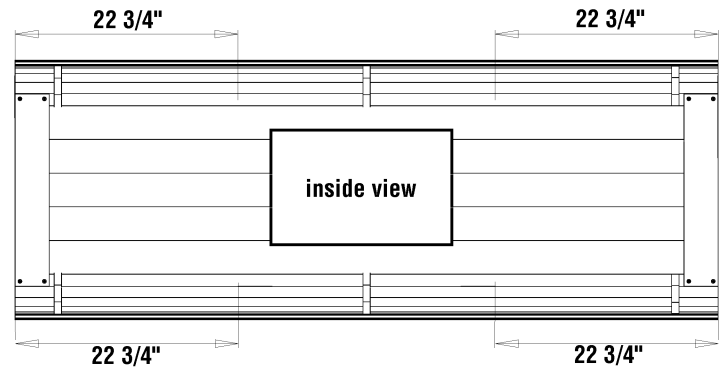
4. Insert second 1" Wood Screw (CC) at each support brace.



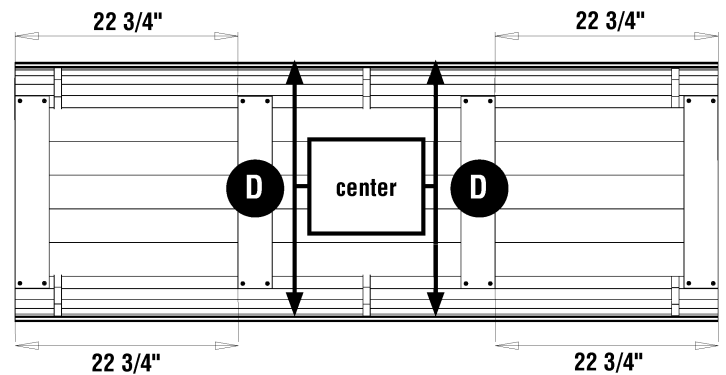
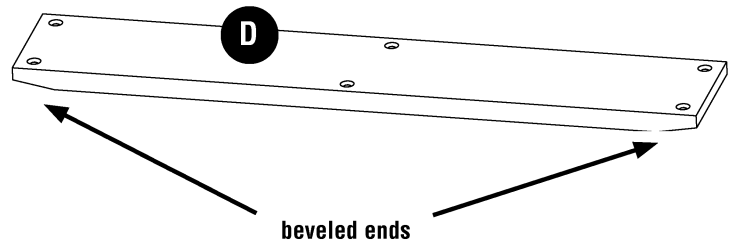
5. Repeat steps 2 - 4 on opposite side of Side Panel. In step 2 match the "tongue side" of one Corner Panel to the remaining "groove side" of the Side Panel.



6. On the inside of the side panel assembly, measure and place a pencil mark  $22\frac{3}{4}$ " from all four edges.

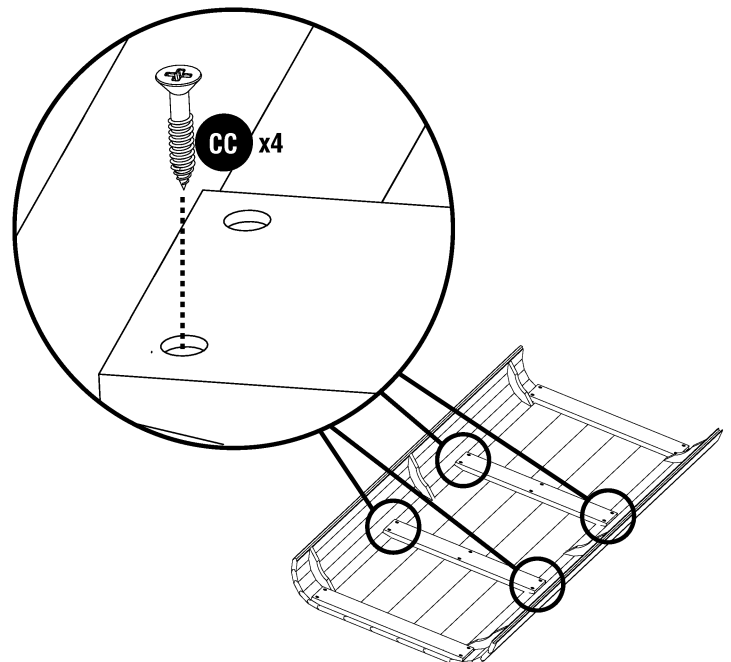


7. With beveled ends facing down, center the two Side Support Braces (D) across the side panel assembly while aligning to each mark.

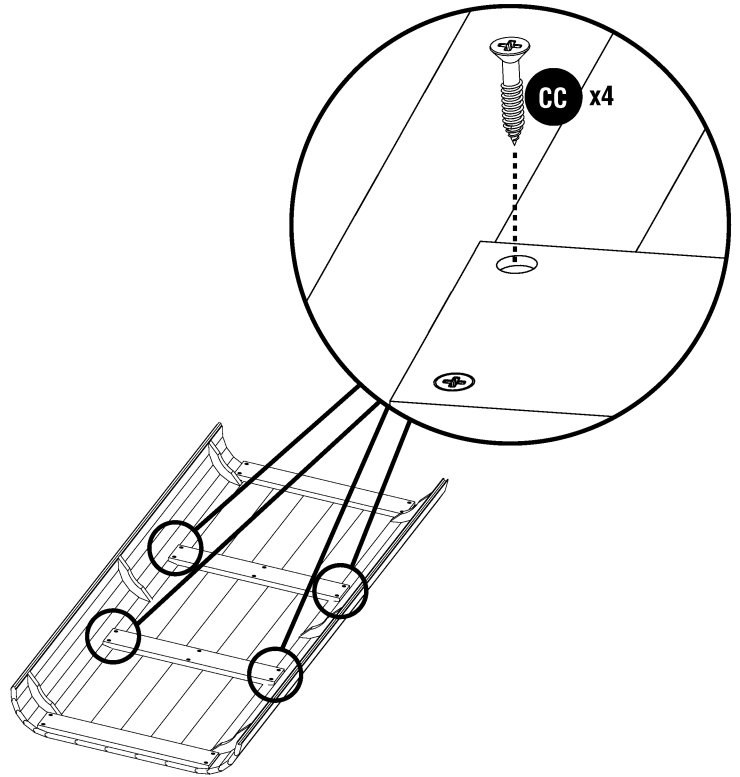


8. **NOTE: DO NOT attach tongue and groove joints until they are fully inserted.** See page 4 for more details.

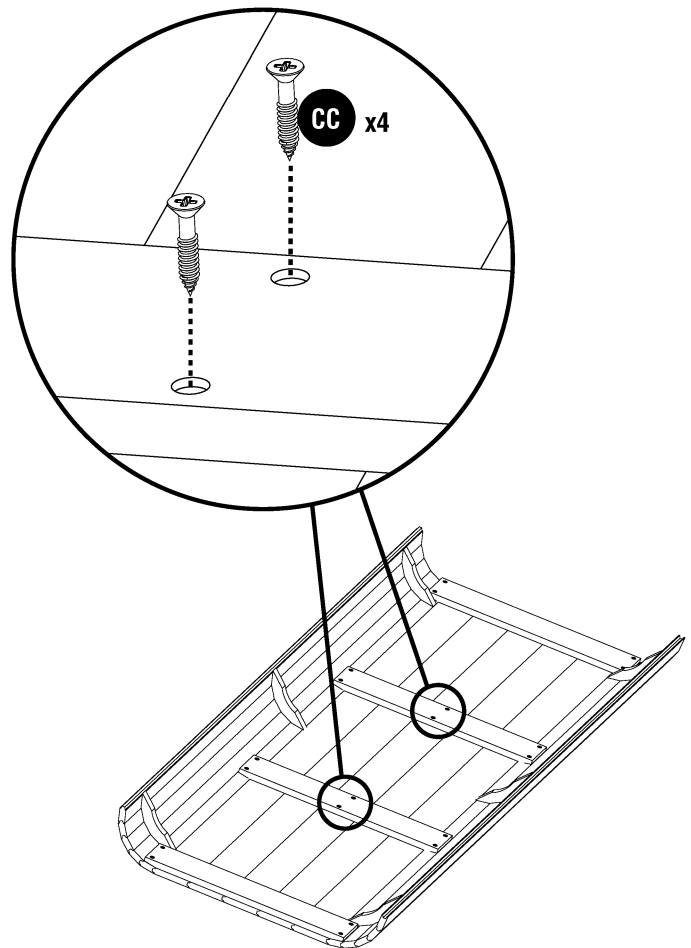
Attach the center of both Corner Panels by inserting one 1" Wood Screw (CC) at the four ends of the Side Support Braces.



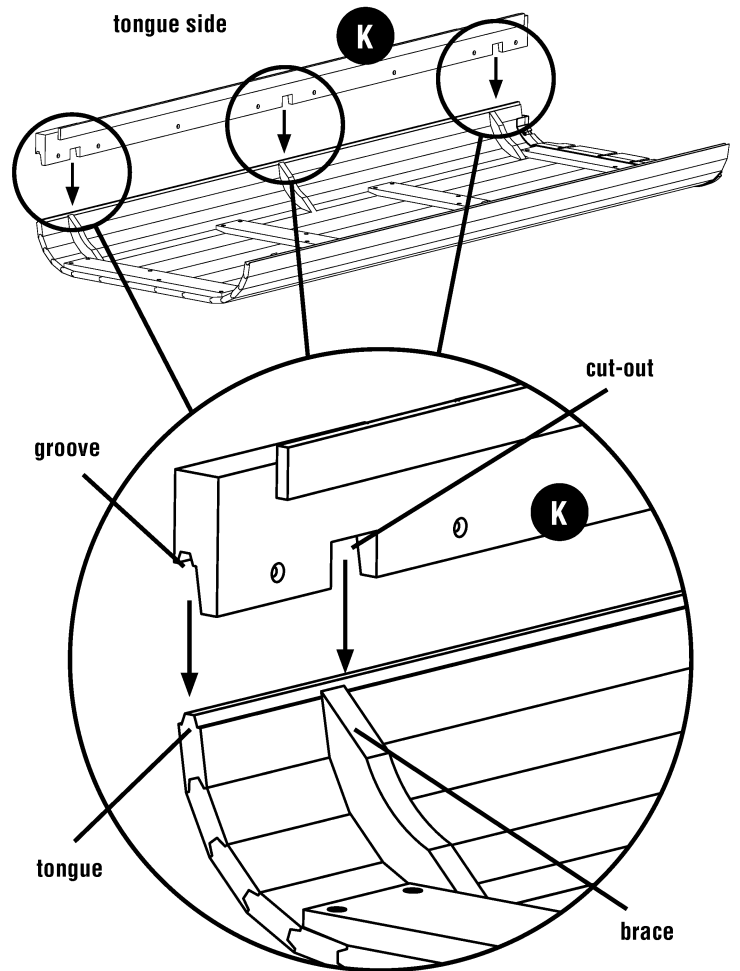
9. Insert second 1" Wood Screw (CC) at the end of each Side Support Brace.



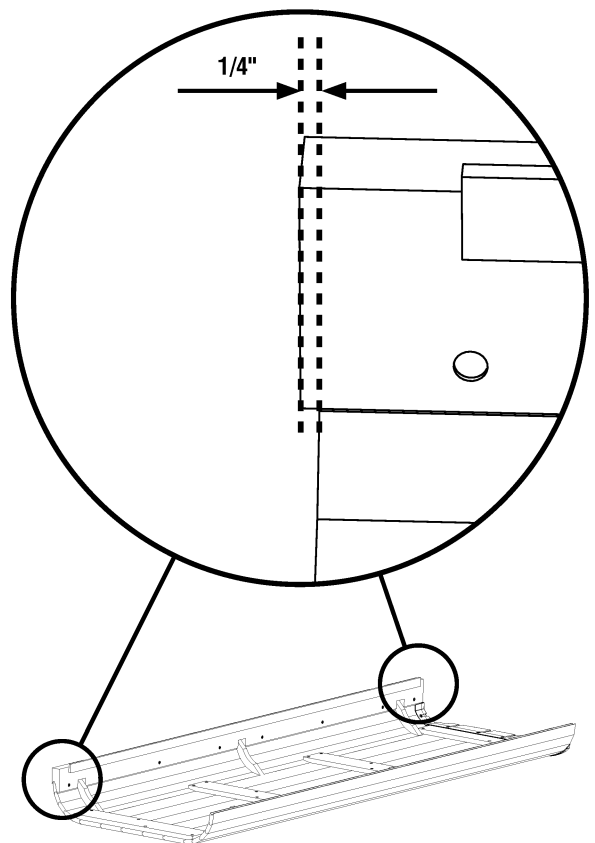
10. Insert two 1" Wood Screws (CC) at the center of each Side Support Brace.



11. Place the three cut-outs in the Left Face Frame (K) over the braces on the "tongue side" of the side panel assembly. **FULLY INSERT** tongue into groove.



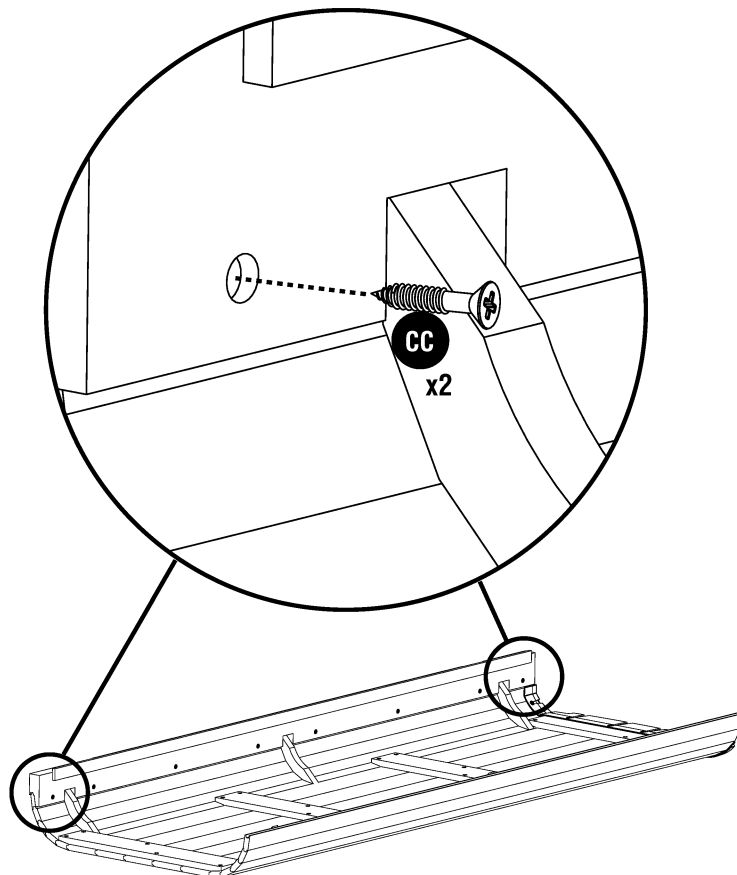
12. The Left Face Frame will move side to side along the tongue and groove joint. Center the Left Face Frame to equally extend over the top and bottom of the side panel assembly by approximately 1/4".





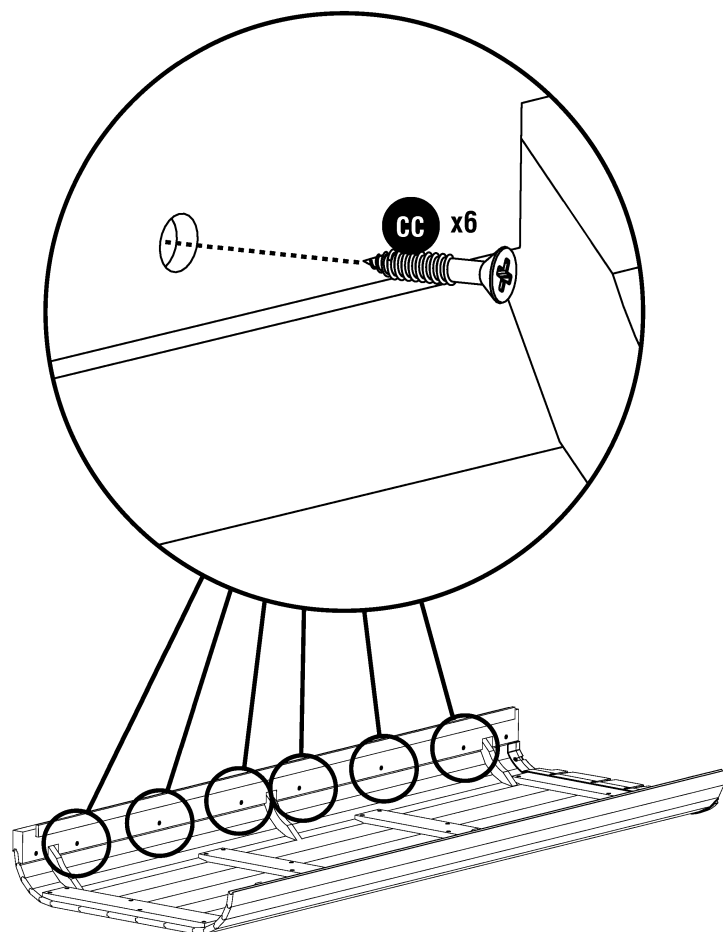
**13. NOTE: DO NOT attach tongue and groove joints until they are fully inserted.** See page 4 for more details.

Insert one 1" Wood Screw (CC) at each end of Left Face Frame.



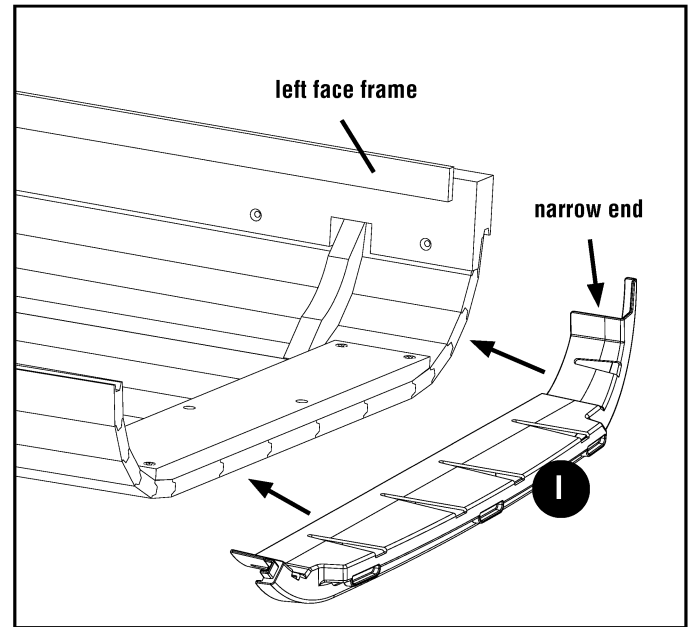
**14. NOTE: DO NOT attach tongue and groove joints until they are fully inserted.** See page 4 for more details.

Insert six 1" Wood Screws (CC) along the center of Left Face Frame.

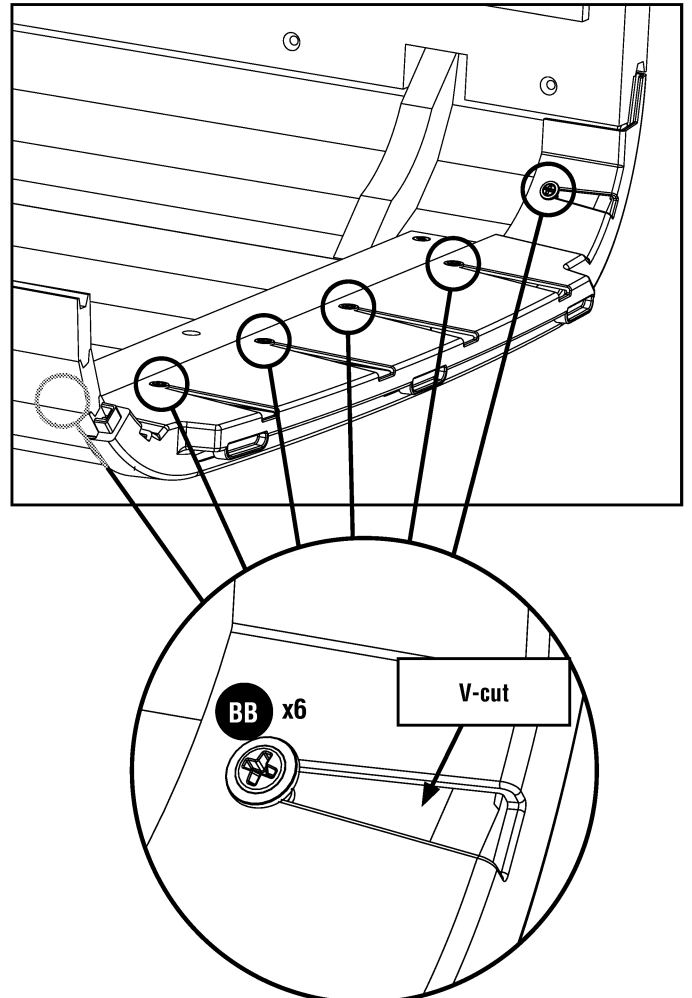


- 15. NOTE: Left Top Connector (I) and Right Top Connector (E) are connected when packaged. Snap both parts off of the connector.**

With the narrow end next to Left Face Frame, place the Left Top Connector (I) over the top of the side panel assembly.

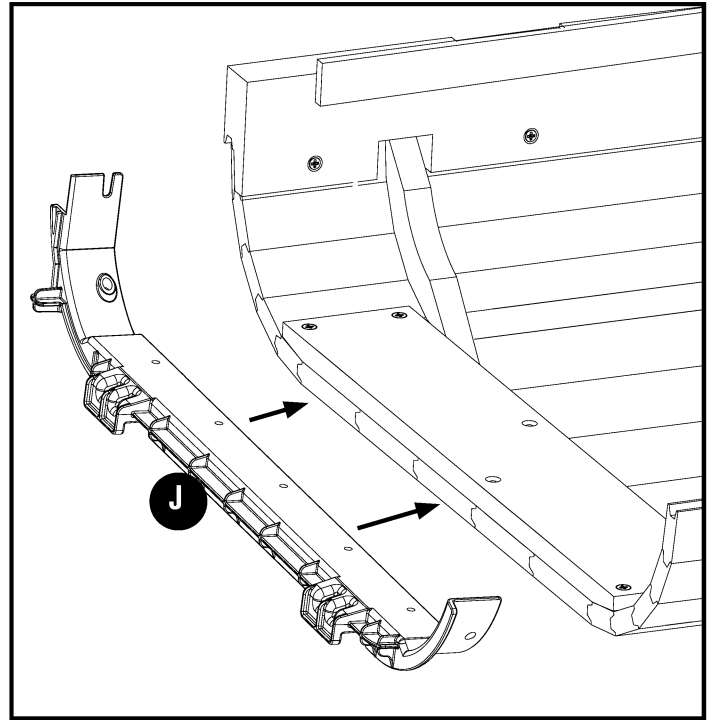


- 16. Hold Left Top Connector in place and attach to side panel assembly using six Washer Head Screws (BB) at the narrow end of V-cuts.**

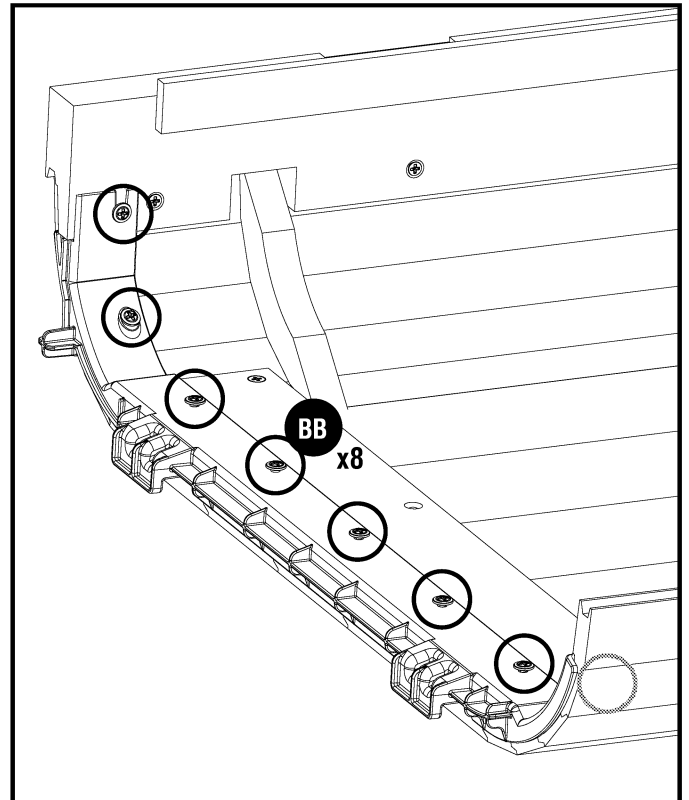


- 17. NOTE: Left Bottom Connector (J) and Right Bottom Connector (H) are connected when packaged. Snap both parts off of the connector.**

Place the Left Bottom Connector (J) over the bottom of the side panel assembly.

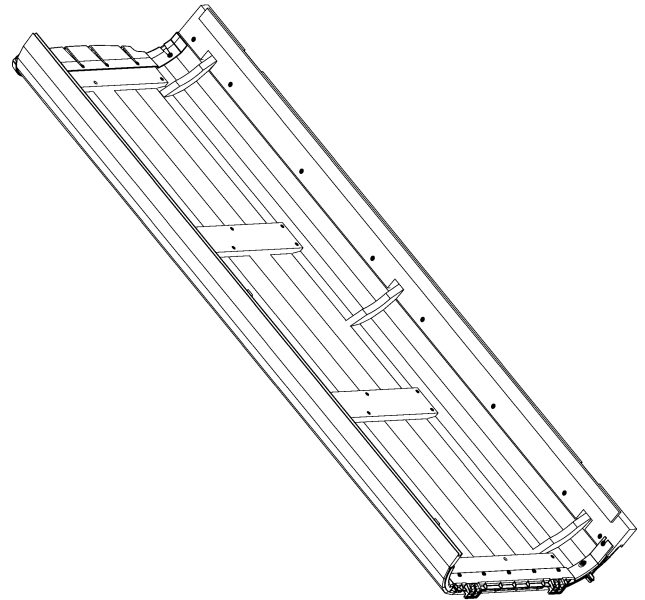


- 18. Hold Left Bottom Connector in place and attach to side panel assembly using eight Washer Head Screws (BB).**

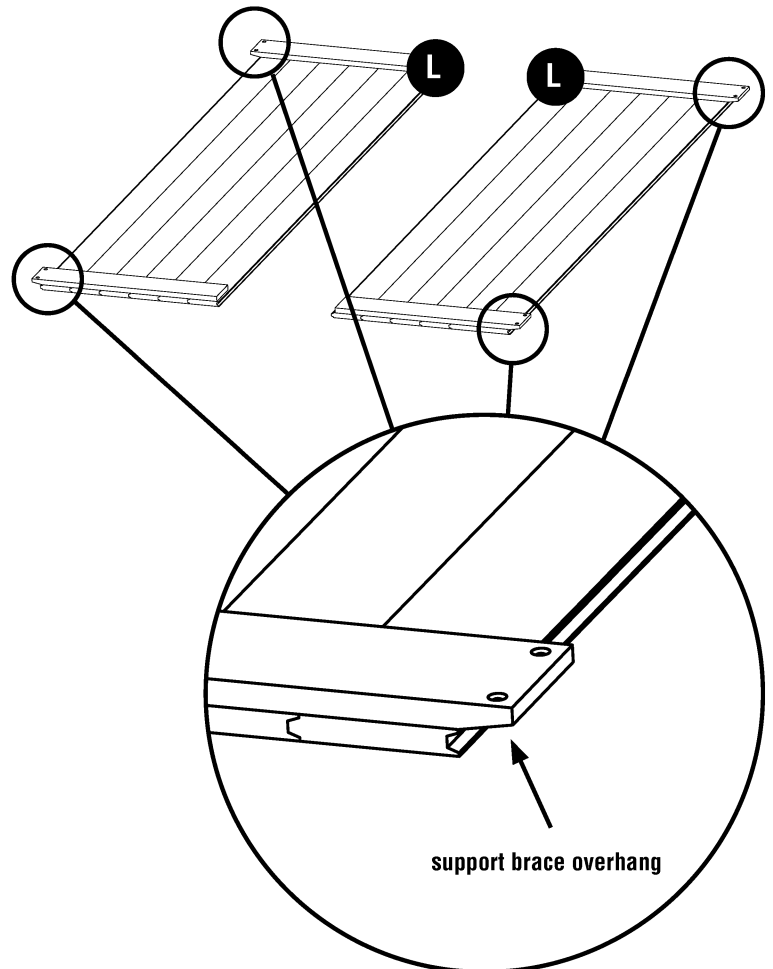


19. Create the right side panel assembly by repeating steps 1 - 18 and substituting the Right Top Connector (E), Right Face Frame (G), and Right Bottom Connector (H) for the corresponding left side parts.

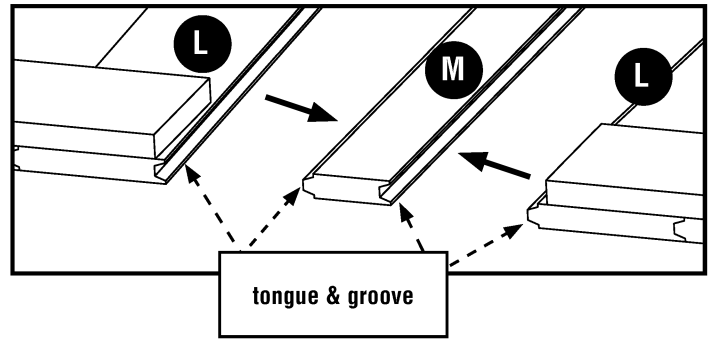
**NOTE: In step 11, attach Right Face Frame to “groove side”.**



20. Lay the two Back Panels (L) on a flat surface with the support braces facing up and the support brace overhang facing away from the center.

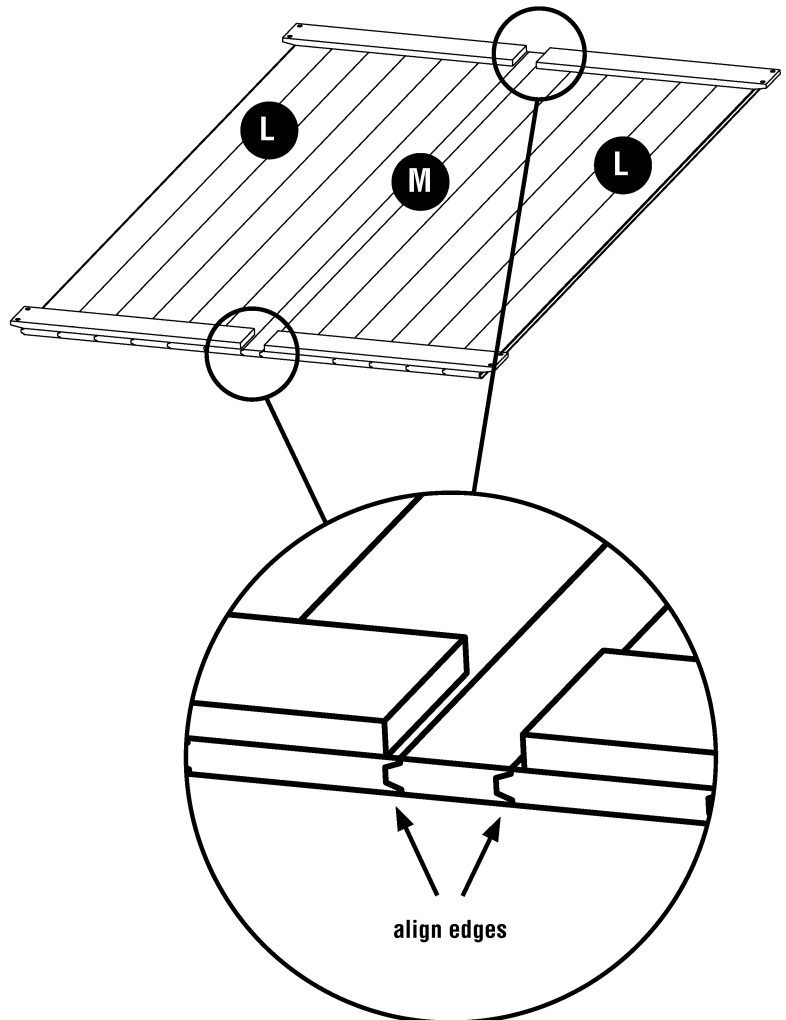


21. Position the Filler Board (M) between the two Back Panels, matching "tongue side" to "groove side" at both connections.

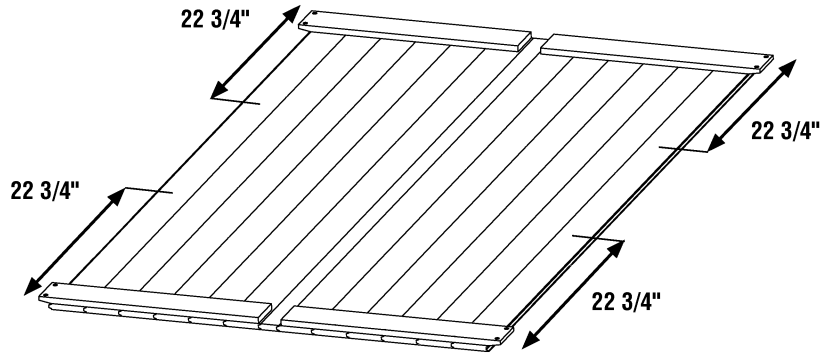


22. Push the two Back Panels (L) against the Filler Board (M). **FULLY INSERT** tongue into groove on both joints.

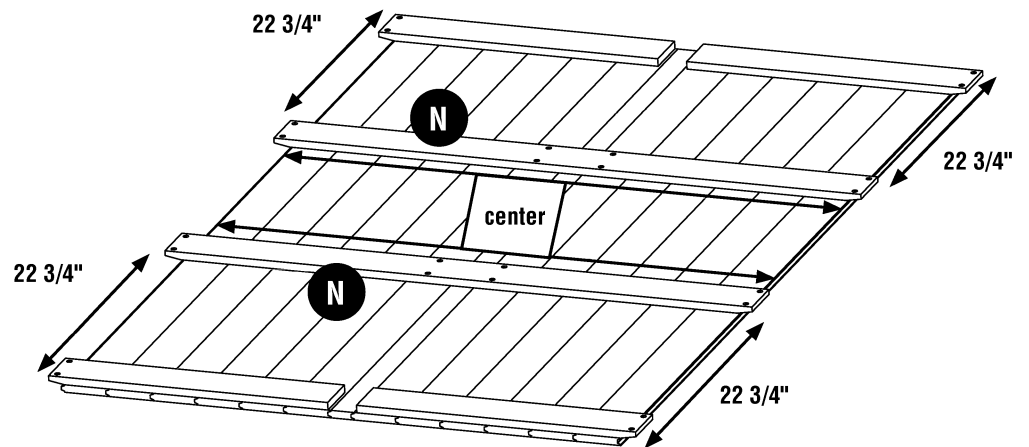
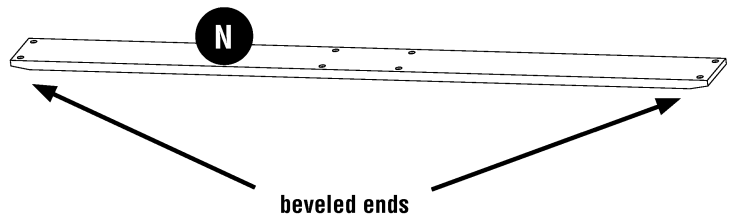
Align all edges at top and bottom seams.



23. On the inside of the back panel assembly, measure and place a pencil mark  $22\frac{3}{4}$ " from all four edges.



24. With beveled ends facing down, align the two Back Support Braces (N) at each mark and center them from side to side across the back panel assembly.

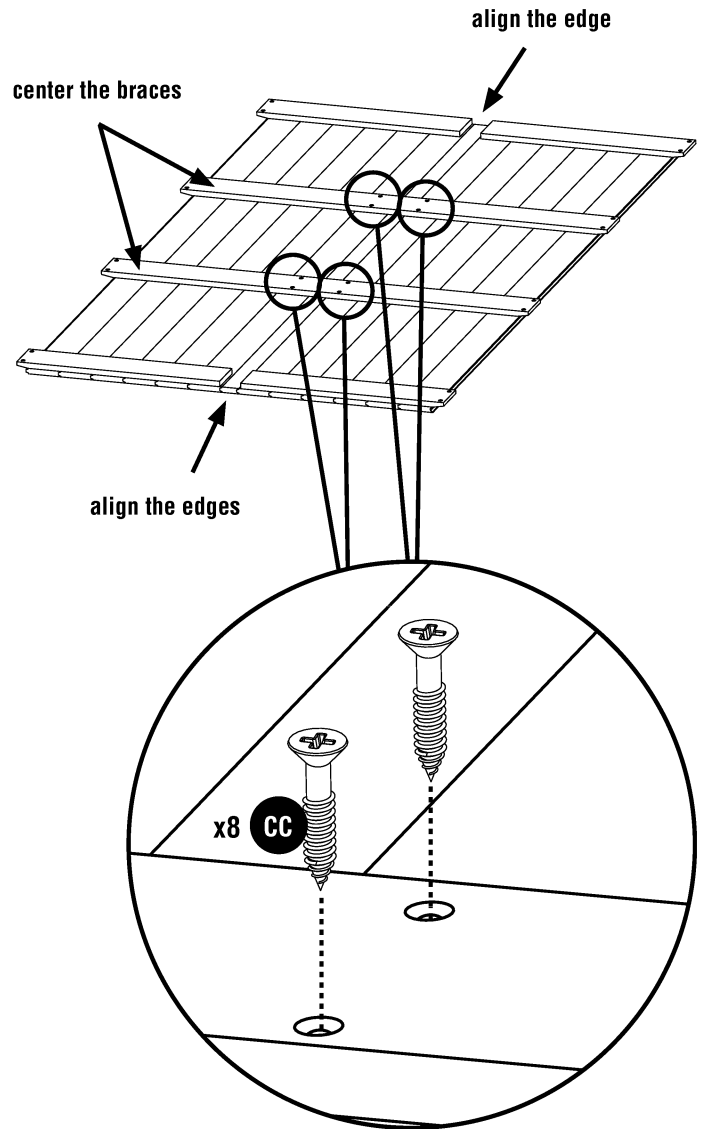


**25. NOTE: DO NOT attach tongue and groove joints until they are fully inserted.** See page 4 for more details.

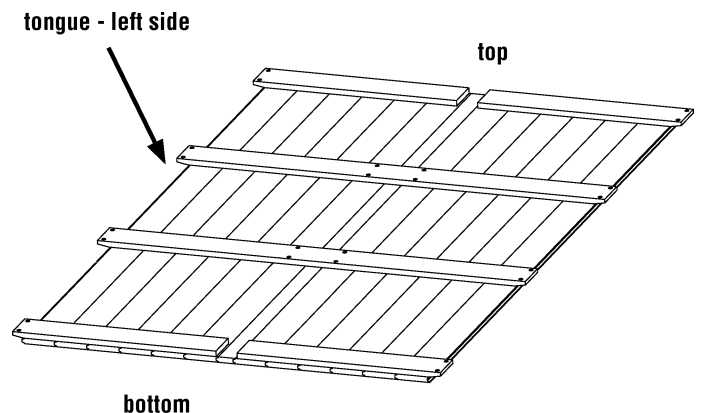
Check that edges at top and bottom seams are still aligned, adjust if necessary.

Check that Back Support Braces are still centered across back panel assembly, adjust if necessary.

Attach the two Back Support Braces with eight 1" Wood Screws (CC).

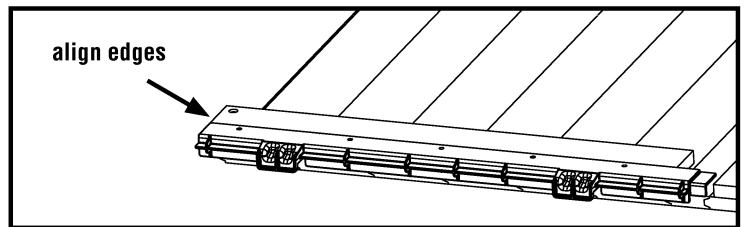
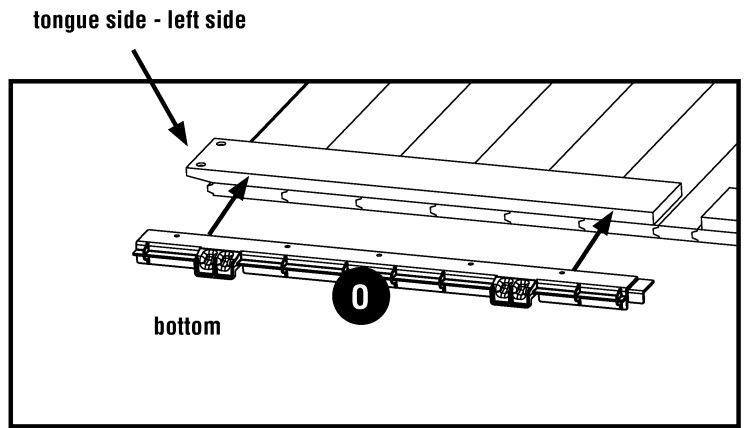


**26.** Locate the “tongue side” on the back panel assembly. This is now the left side of the shed. Which in turn, determines the bottom. After you have correctly determined which end is the bottom, proceed to step 27.

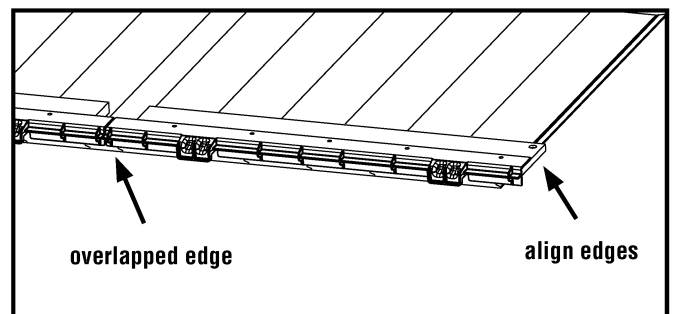
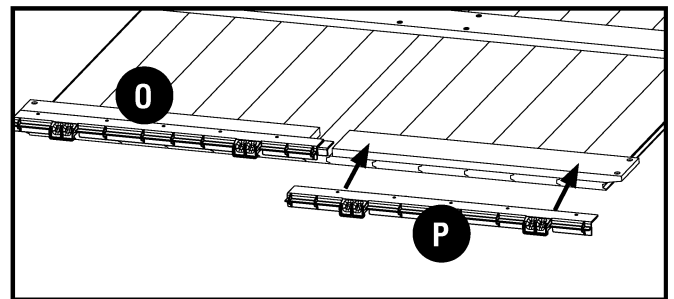


**27. NOTE: Left Back Bottom Connector (O) and Right Back Bottom Connector (P) are connected when packaged. Snap both parts off of the connector.**

Place Left Back Bottom Connector (O) over the left bottom edge of back panel assembly. Align the left end of connector with the left end of back panel assembly.

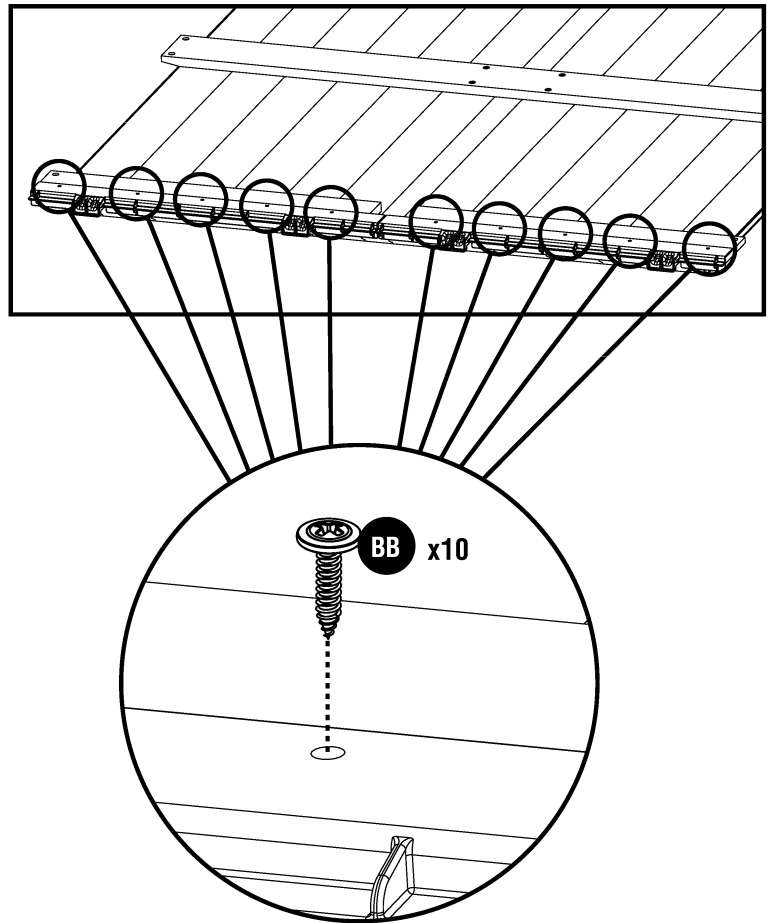


**28.** Connector (P) will overlap connector (O) near the center of the assembly. Slip the Right Back Bottom Connector (P) over the right bottom edge of the back panel assembly. Align the right edge of connector (P) with the right edge of the back panel assembly.



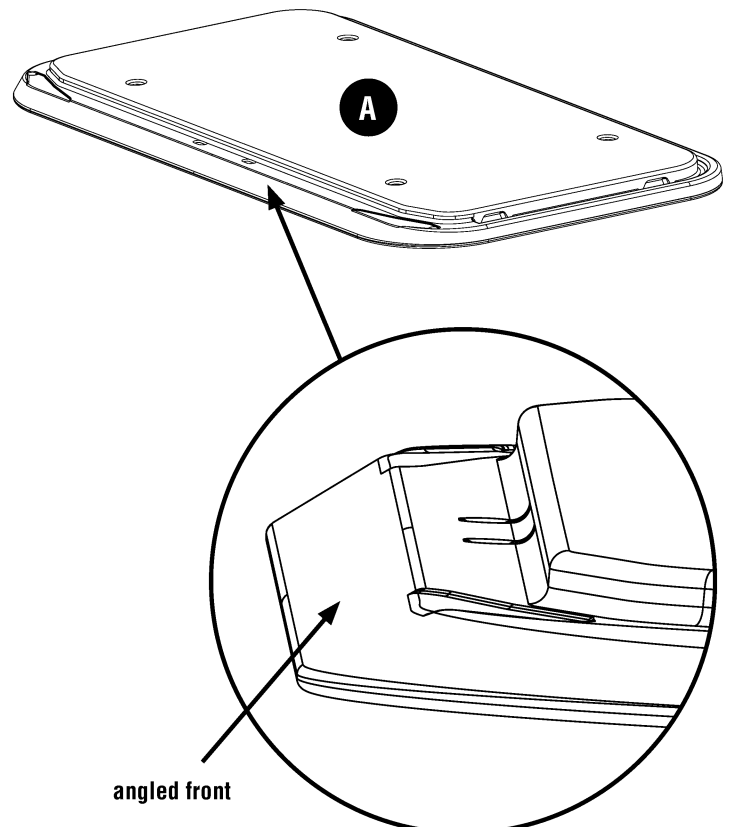


29. Hold Left and Right Back Bottom Connectors in place and attach to back panel assembly with ten Washer Head Screws (BB).



30. **NOTE:** Select a firm, level surface, close to the shed's permanent location, with plenty of room to work around all sides.

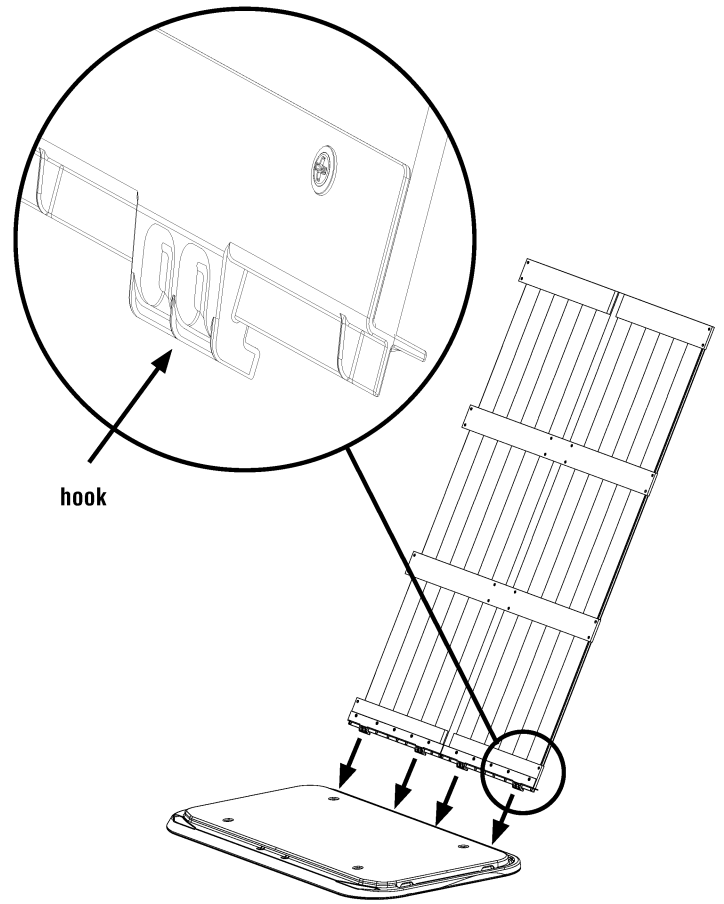
Place Floor (A) on ground. The front of the Floor is angled. Position the front in the direction you want the doors to face.



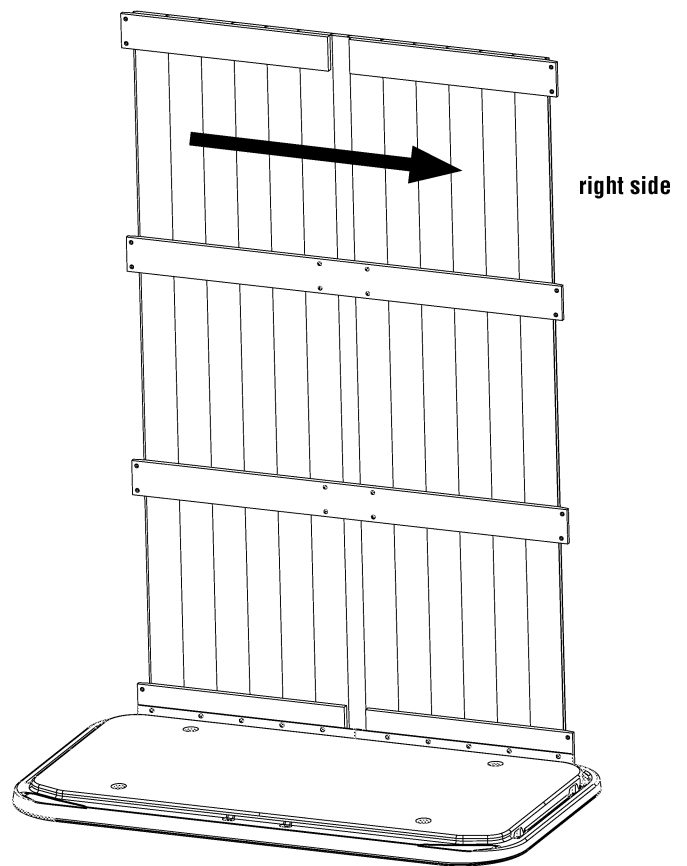
**31. NOTE: A second person will need to assist by holding the back panel assembly upright until step 34.**

At angle shown, insert the hooks on the bottom of the back panel assembly into the slots in the back of the Floor.

Tilt the back panel assembly upright to engage the hooks.



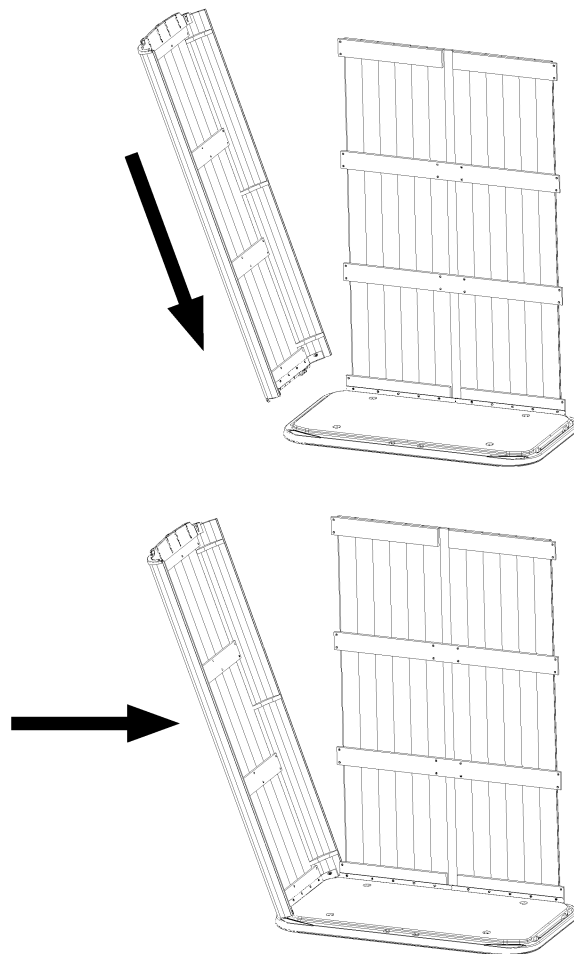
**32. Back panel assembly will slide slightly within the slots. Slide back panel assembly to the right side of shed.**



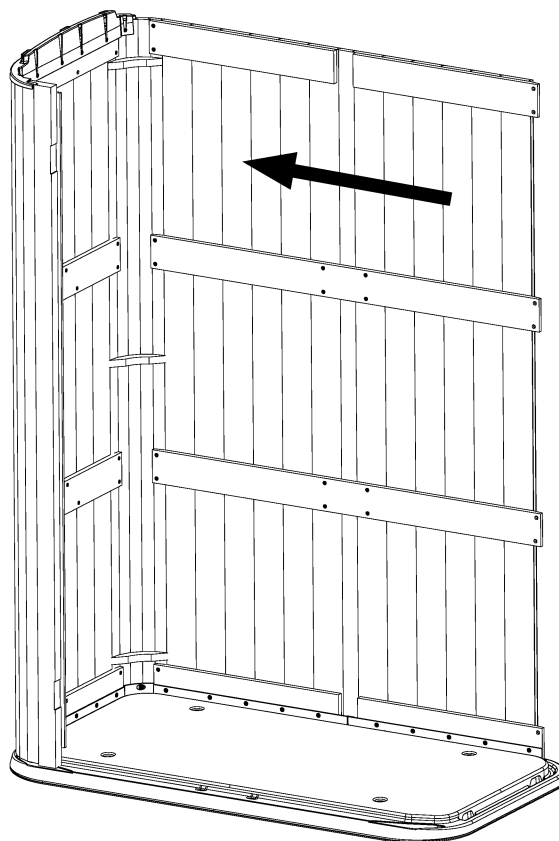
**33. NOTE: A second person will need to assist by holding the side panel assembly upright until step 34.**

At angle shown, insert the hooks on the bottom of the left side panel assembly into the slots in the left side of the Floor.

Tilt the side panel assembly upright to engage the hooks.

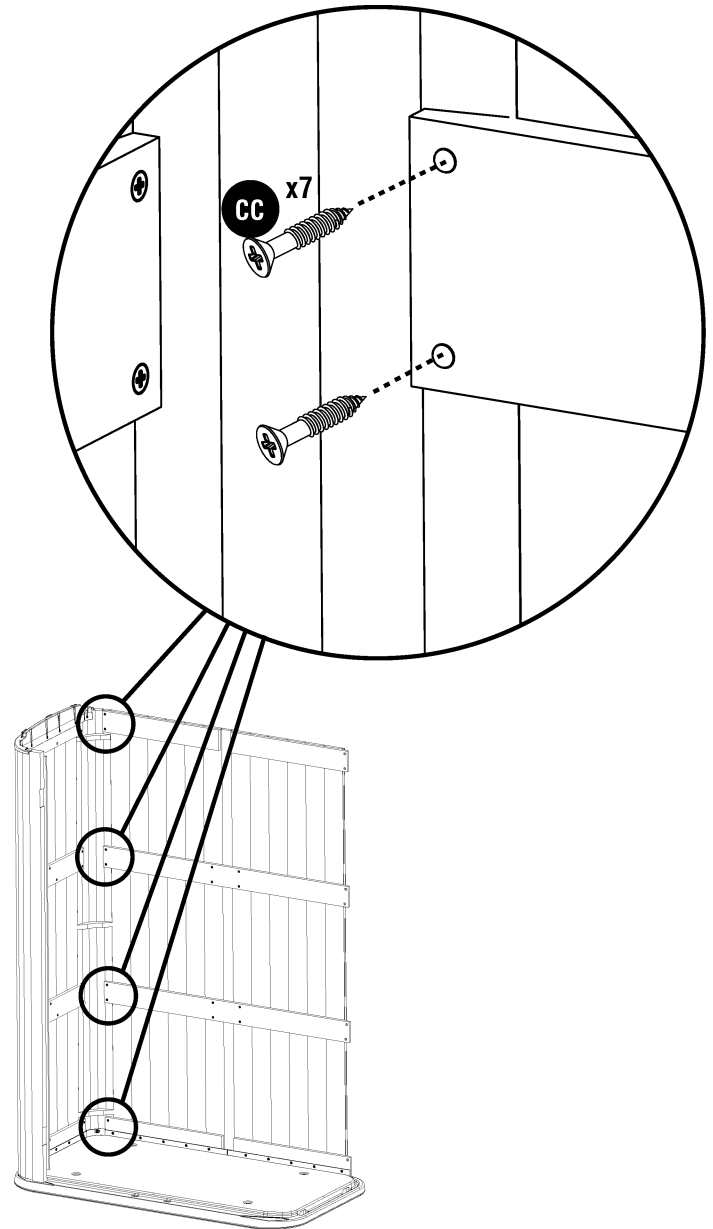


**34. Slide the back panel assembly back to the left and FULLY INSERT tongue into groove.**



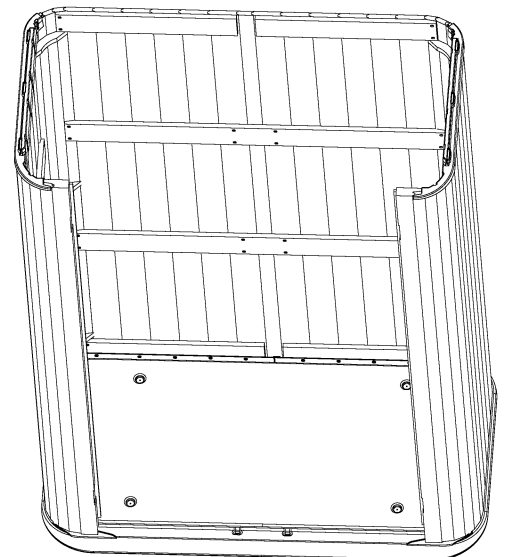
**35. NOTE: DO NOT attach tongue and groove joints until they are fully inserted.** See page 4 for more details.

Attach the side panel assembly with seven 1" Wood Screws (CC) through the pre-drilled holes in support braces.



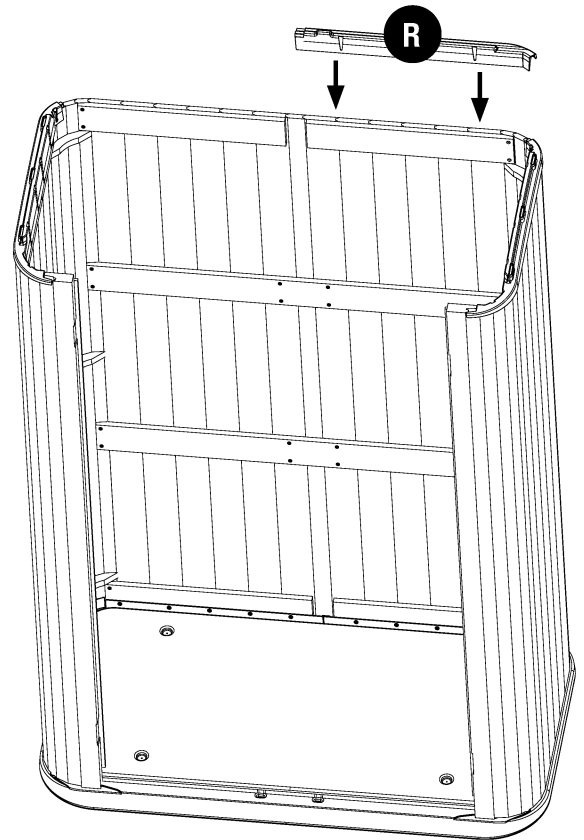
---

**36.** Repeat steps 33 and 35 to install the right side panel assembly.

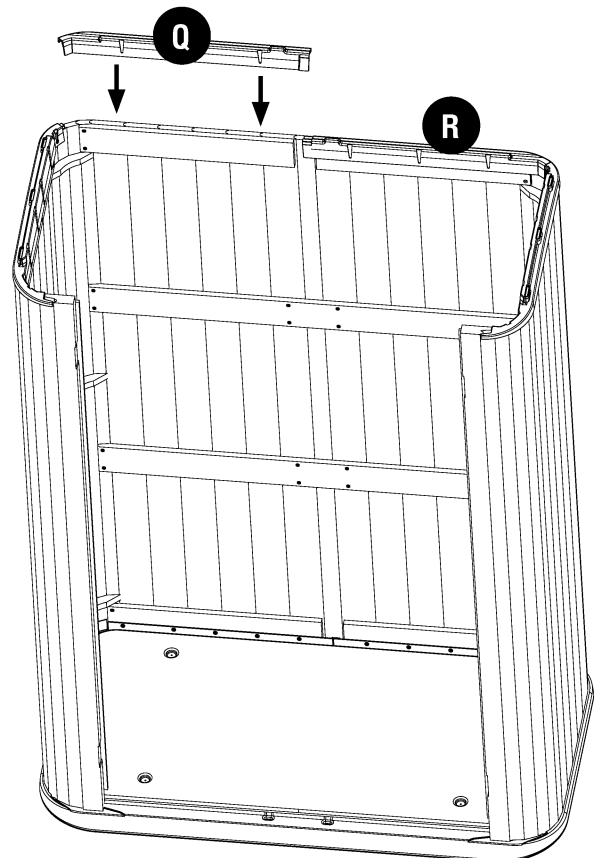


- 37. NOTE: Right Back Top Connector (R) and Left Back Top Connector (Q) are connected when packaged. Snap both parts off of the connector.**

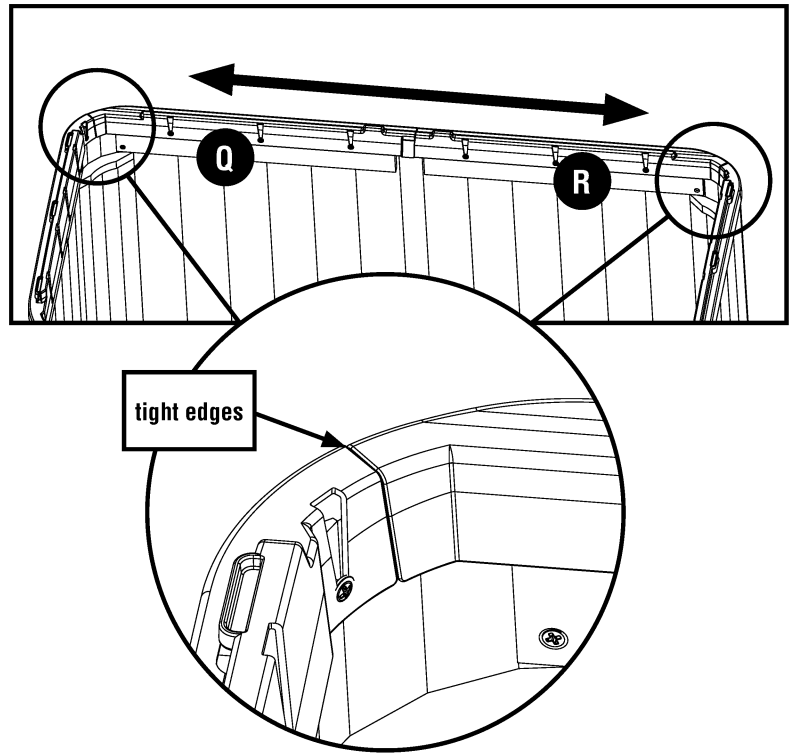
Place Right Back Top Connector (R) over the right top edge of the back panel assembly of the shed.



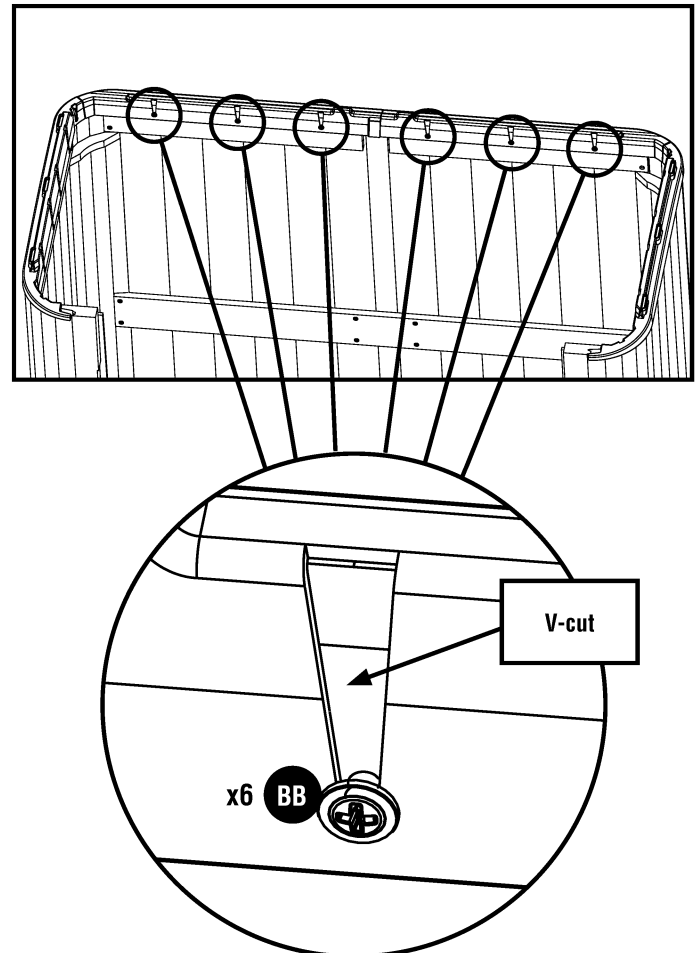
- 38. Connector (Q) will overlap connector (R) near the center of the assembly. Slide Left Back Top Connector (Q) over the left top edge of the back panel assembly of the shed.**



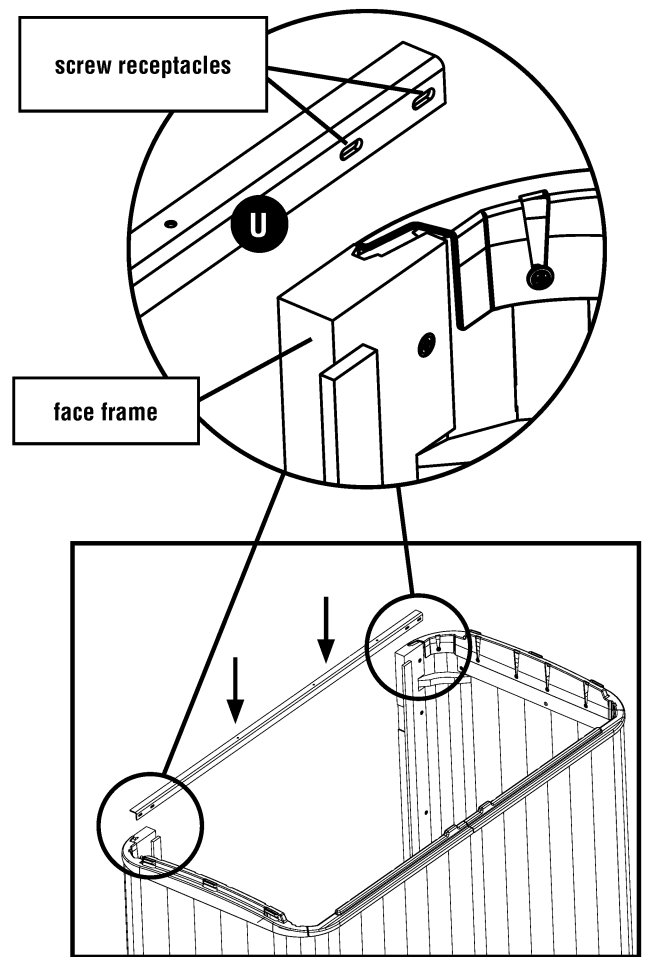
39. Gently push apart Left and Right Back Top Connectors (Q/R) until the outer edges are tight against the edges of the side panel connectors.



40. Hold Left and Right Back Top Connectors in place and attach to back panel assembly with six Washer Head Screws (BB) placed at the narrow end of V-cuts.

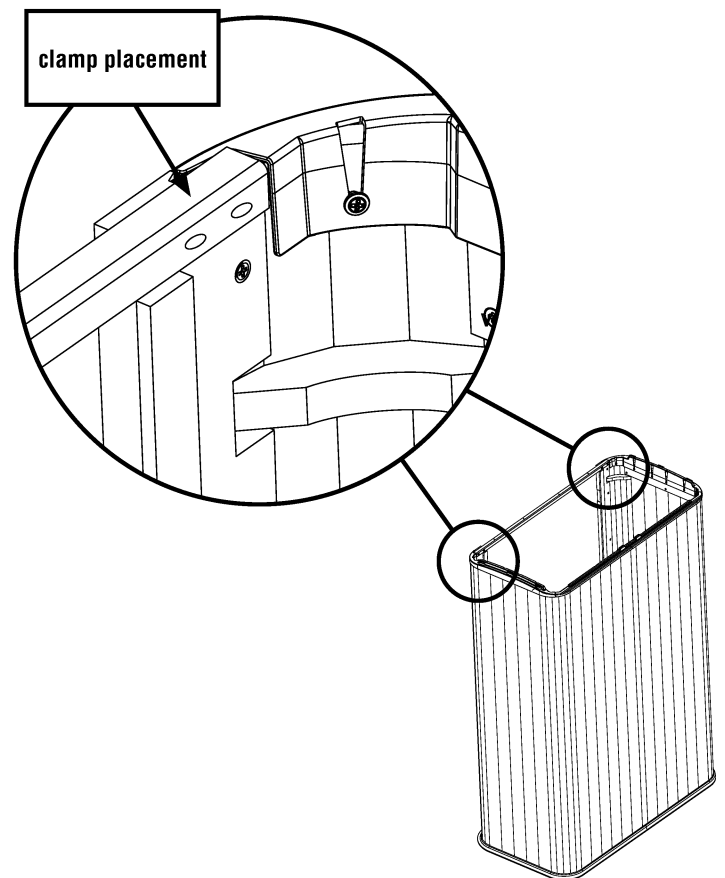


41. With screw receptacles facing into the shed, center Steel Header (U) over the door opening and place on top of the edges of both face frames.



42. With two clamps, clamp Steel Header in place, while leaving at least one screw receptacle uncovered at each end.

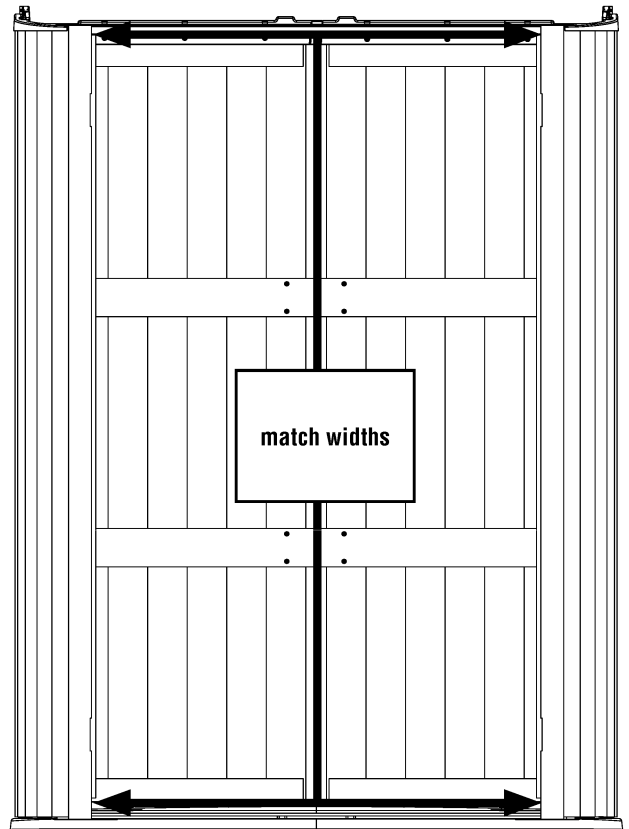
If clamps are not available, have second person hold Steel Header in place.



43. Measure the width across the bottom of the door opening. It should be a minimum of 39 1/8".

Measure the width across the top of the door opening. If necessary, loosen the clamps and adjust the width at the top of the door opening to match the width at the bottom.

**NOTE: The width at the top of the door opening must match the width at the bottom. Failure to accurately install the Steel Header will result in problems opening and closing the doors.**



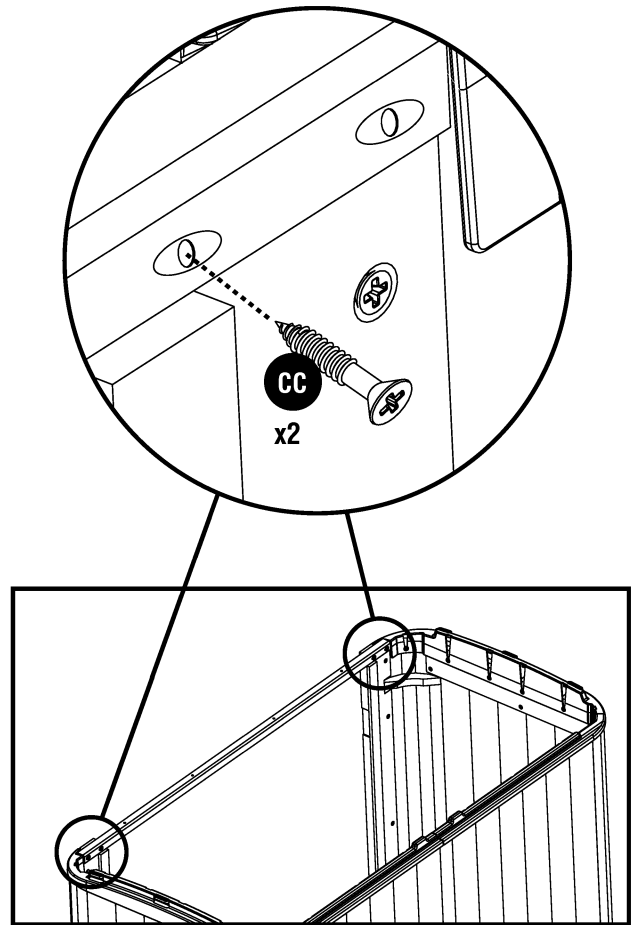
minimum width of 39 1/8"



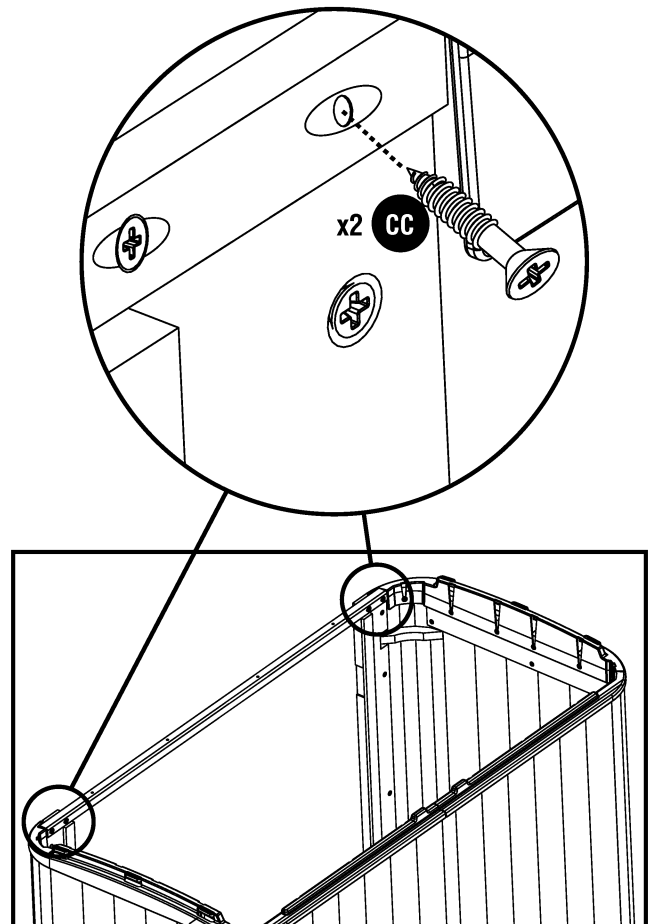
**44. NOTE: Pre-drilling holes with 3/32" bit through the face frame is recommended.**

Insert one Wood Screw (CC) placed at each end of the Steel Header.

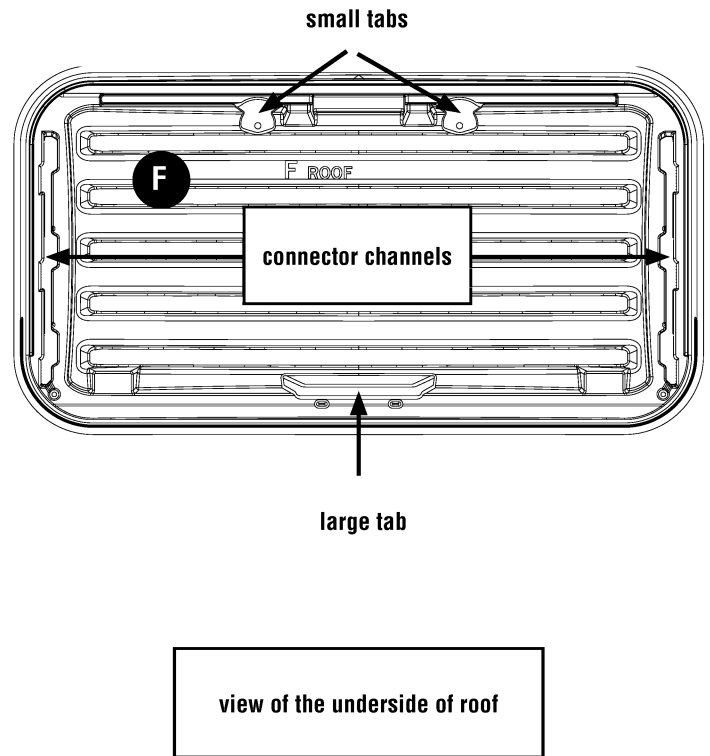
Remove the clamps and re-measure. Adjust if necessary.



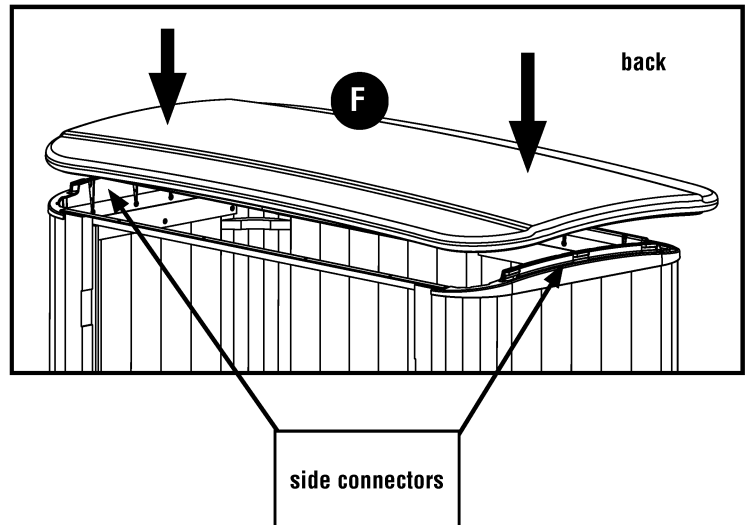
**45. Insert one Wood Screw (CC) in the remaining hole at each end of the Steel Header.**



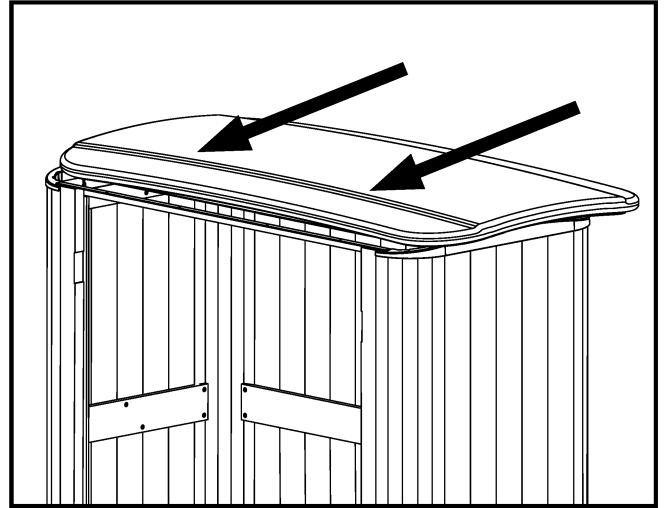
46. On the underside of Roof (F), locate the two connector channels, large tab, and two small tabs. See drawing for locations.



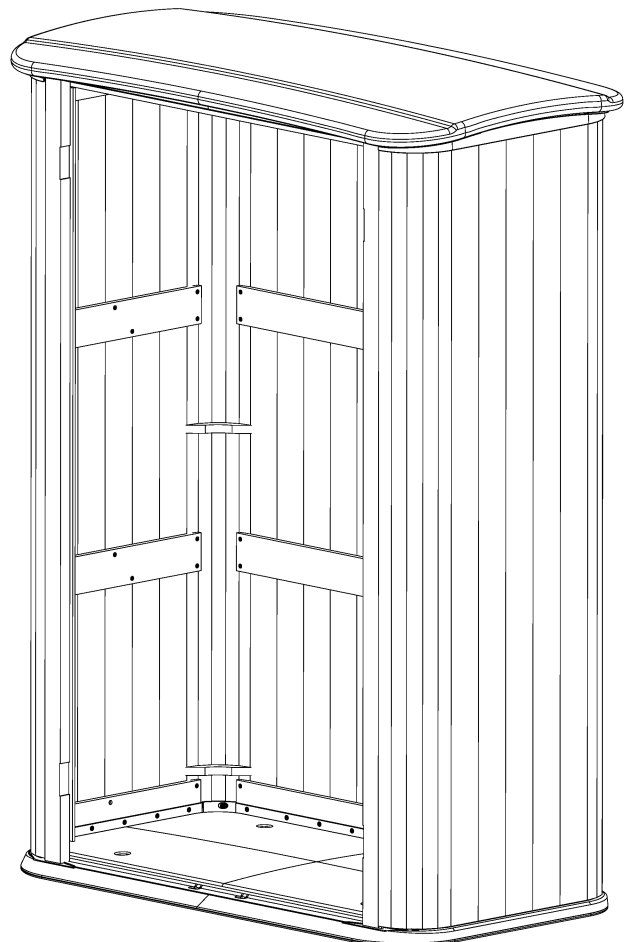
47. Position Roof (F) with the two small tabs hanging a few inches over the back of the shed. Align and place both connector channels on both side connectors.



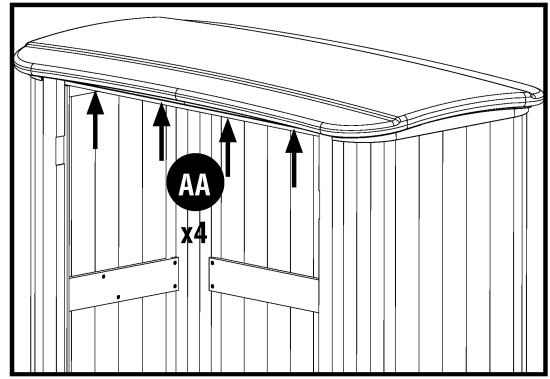
- 48.** From the back of the shed, push Roof to the front until the small tabs in Roof snap over to the inside of the back panel assembly. Large tab should now be touching the inside edge of Steel Header.



- 
- 49.** If side connectors did not engage with connector channels, step inside the shed and push up and back on the Roof to remove. Repeat steps 47 - 48 until side connectors are firmly seated inside connector channels.



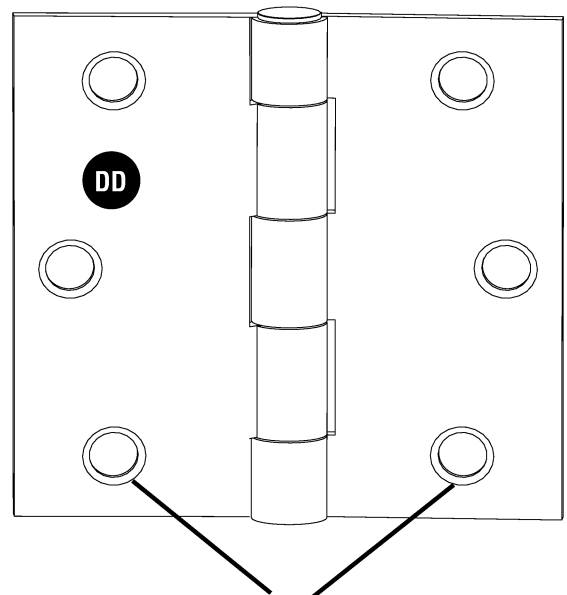
50. Secure Roof to shed with four Screws (AA). Insert Screws through pre-drilled holes in Steel Header and drive firmly into Roof, in locations shown.



51. **NOTE: Hinges must be installed in the correct position for the doors to open and close properly.**

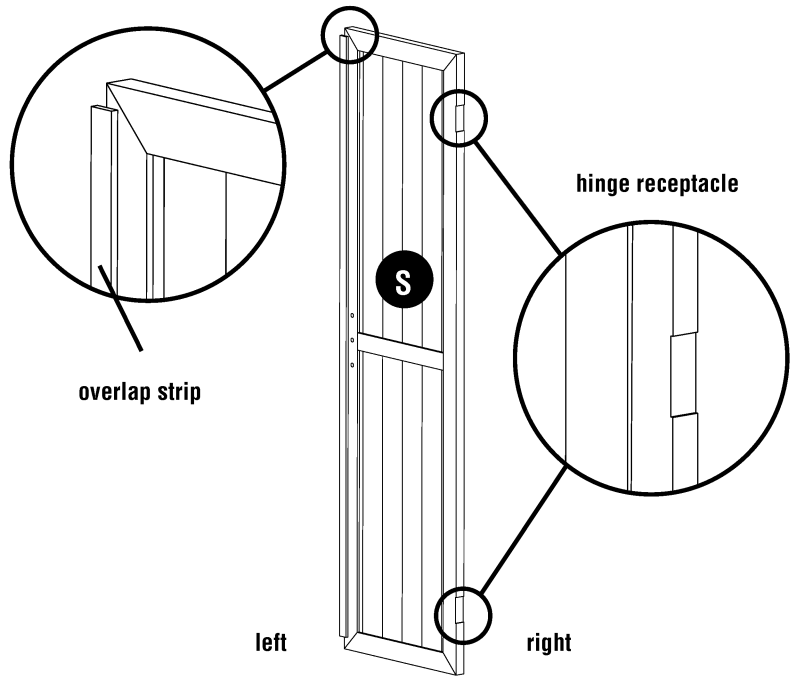
Locate one Hinge (DD). Note the countersinks for the screws, this is the front of the Hinge.

Open the Hinge with the countersinks facing towards you.



countersinks - front

52. Stand Left Door (S) upright with overlap strip facing left and Hinge receptacles facing right.

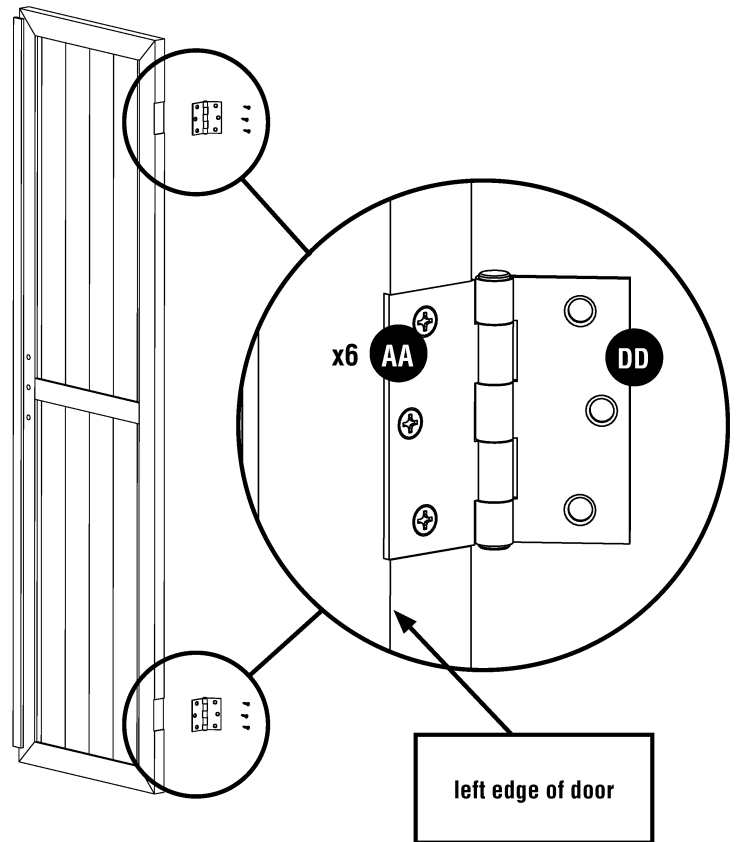


53. **NOTE: Pre-drilling holes with a 3/32" bit is recommended.**

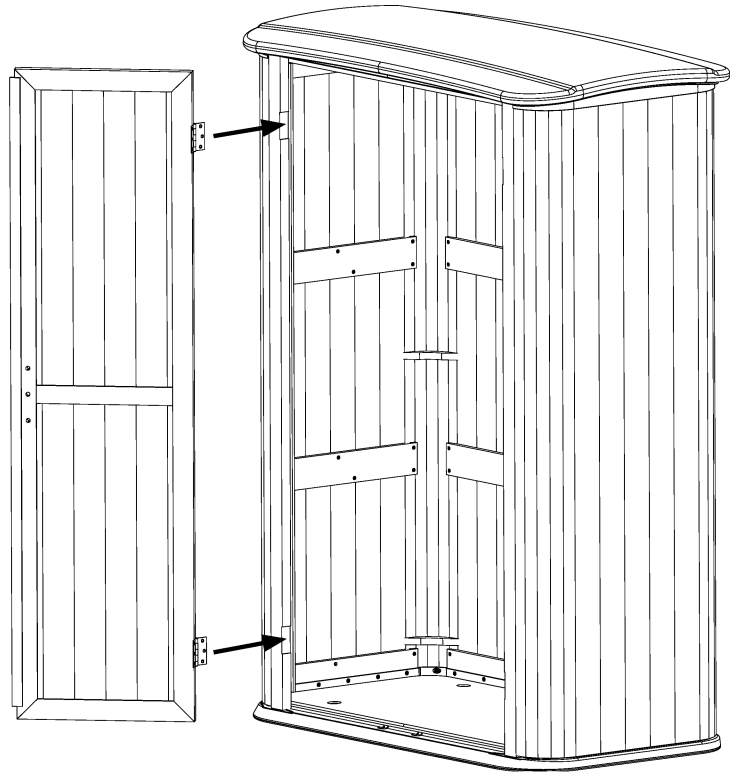
Place one Hinge (DD) in the top Hinge receptacle with the countersinks facing towards you and the left edge aligned with the left edge of the door.

Attach Hinge using three Screws (AA).

Repeat for bottom hinge.

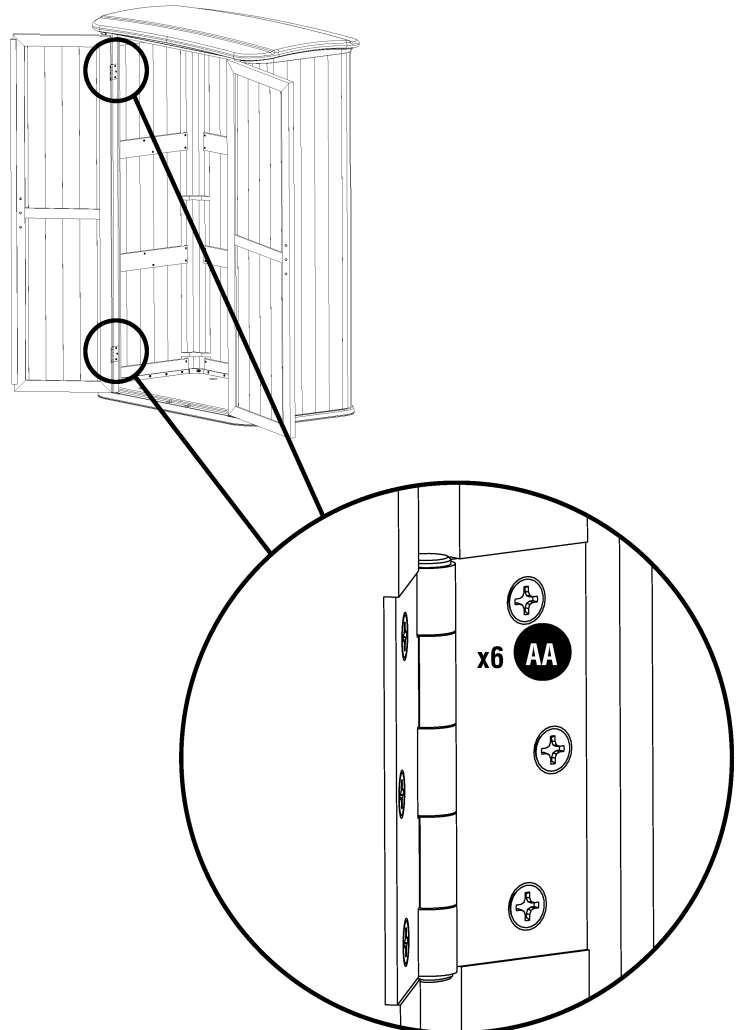


54. With at least two people, place the other half of the two Hinges into the hinge receptacles on the left side of the shed door opening.

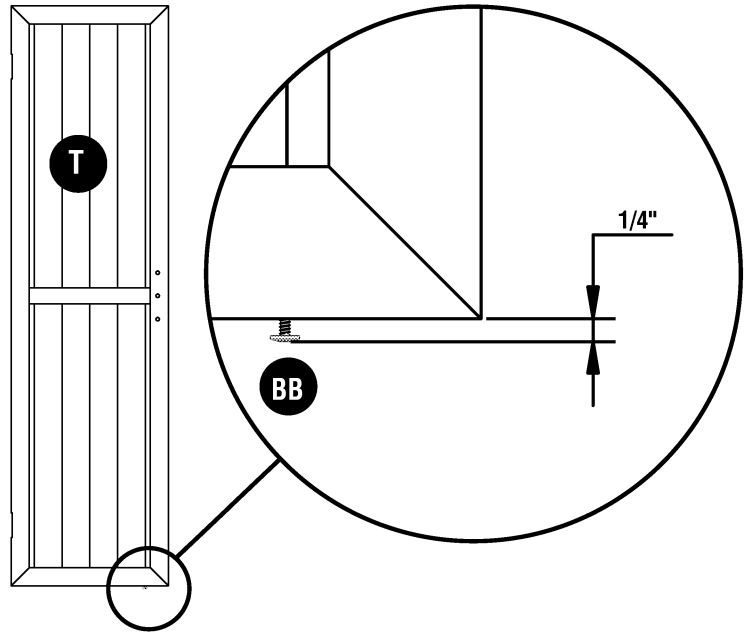


55. **NOTE: Pre-drilling holes with a 3/32" bit is recommended.**

Attach each Hinge to the shed with three Screws (AA).

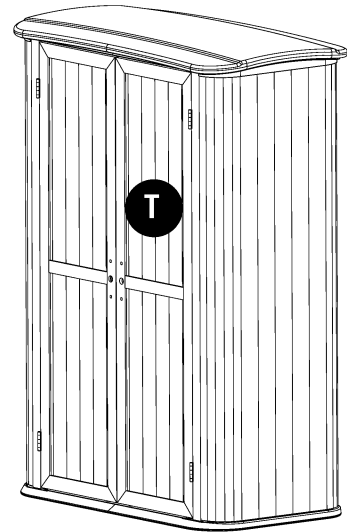


56. On the bottom of the Right Door (T), insert one Washer Head Screw (BB) into the pre-drilled hole until head is 1/4" from bottom of door.

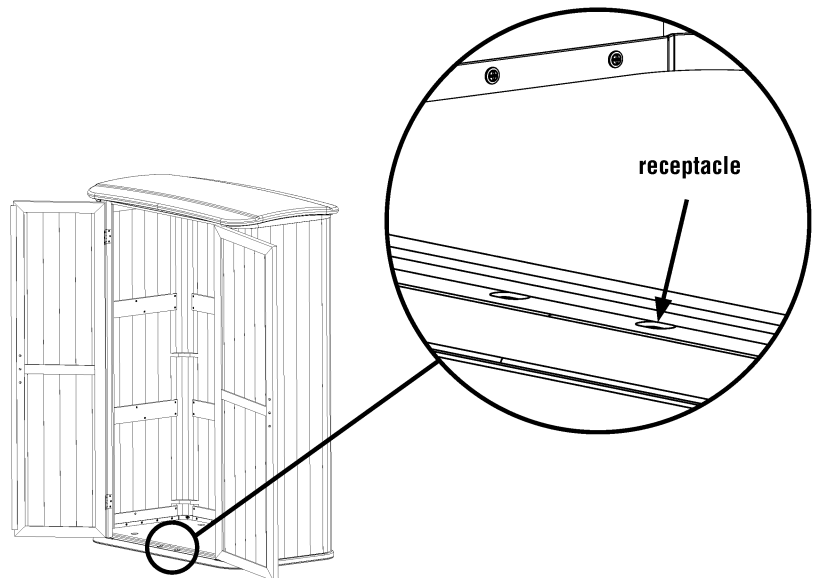


57. Repeat steps 52 - 55 to install Right Door (T).

**NOTE: Right Door does not have an overlap strip.**



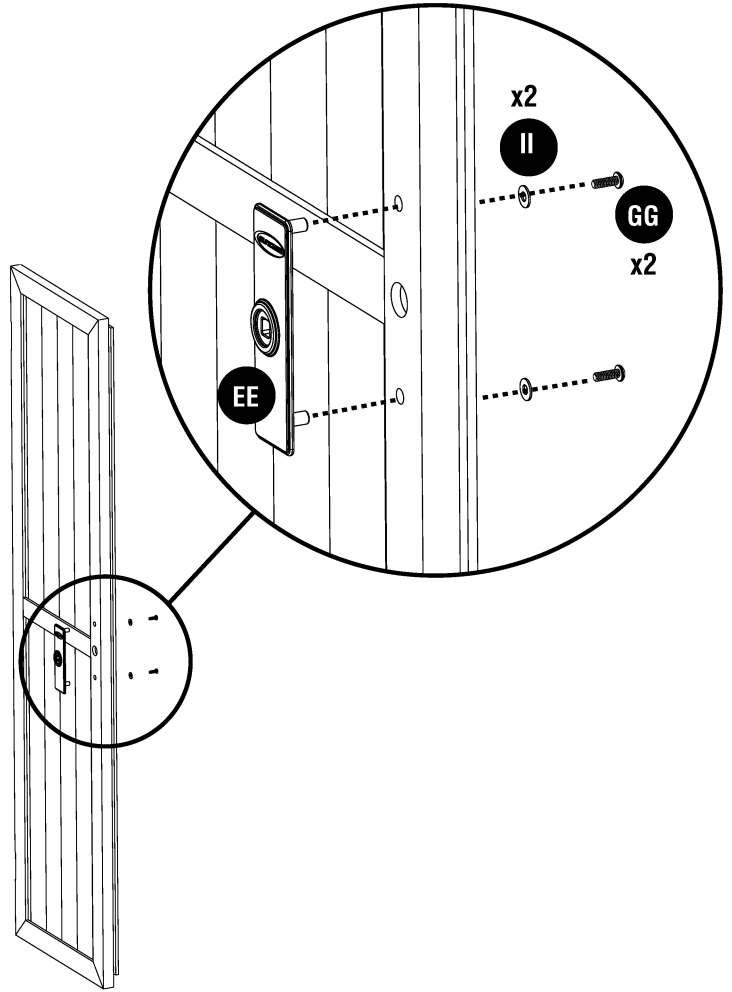
58. If necessary, adjust the screw on the bottom of Right Door, turning it up or down until it gently snaps into receptacle in Floor.



- 59.** Locate and unpack the Handle Kit. Locate the Left Face Plate. Face plates are stamped on the back “LEFT” and “RIGHT”.

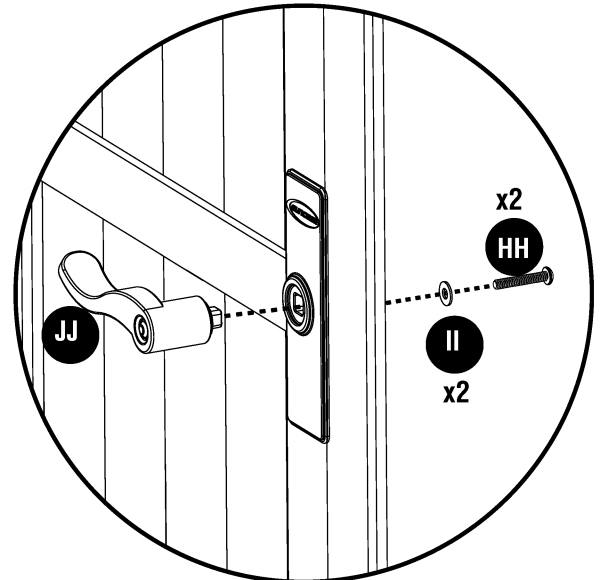
Leave Left Door attached to shed. With Suncoast logo at top, insert Left Face Plate (EE) through holes in Left Door. Attach with two Washers (II) and two 3/4" Machine Screws (GG).

Repeat on Right Door using Right Face Plate (FF).



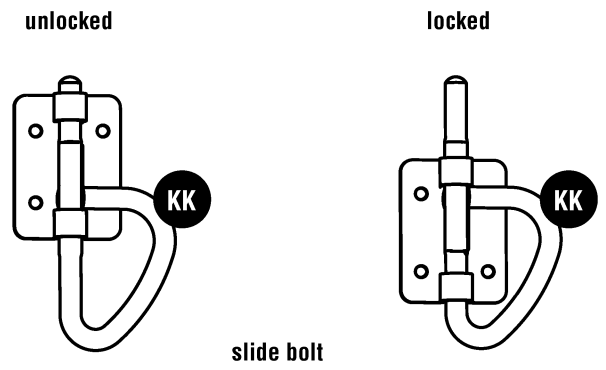
- 60.** Insert one Handle (JJ) through hole in Left Door Face Plate. Attach with one Washer (II) and one 1 1/2" Machine Screw (HH).

Repeat on Right Door.

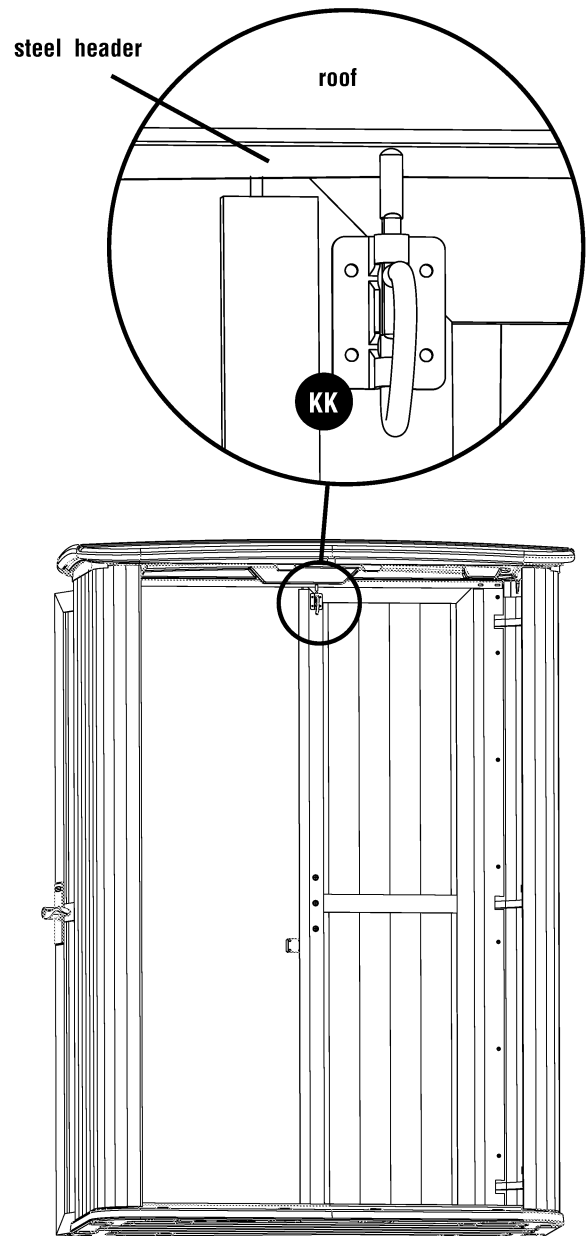




61. Locate Slide Bolt (KK). Place Slide Bolt in locked position.

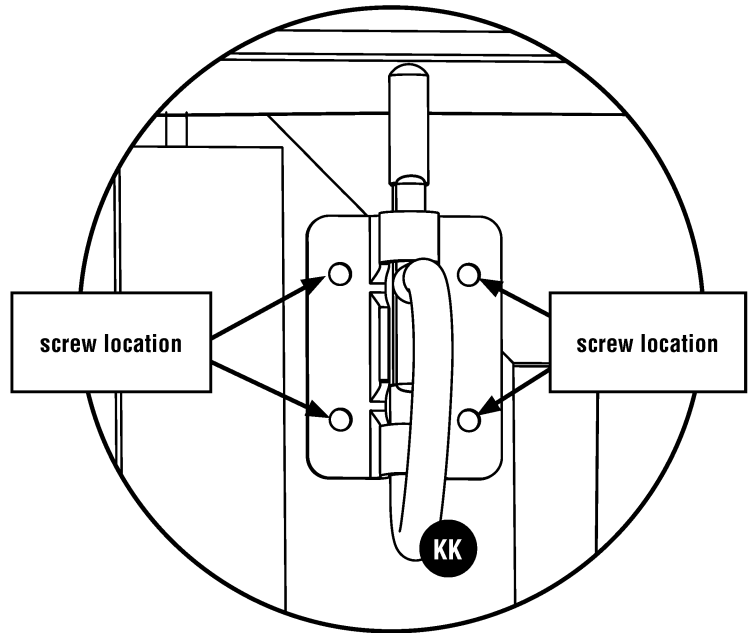


62. From inside the shed, with left door closed, position locked Slide Bolt (KK) at the top of the Left Door just below the Roof and overlapping the Steel Header.



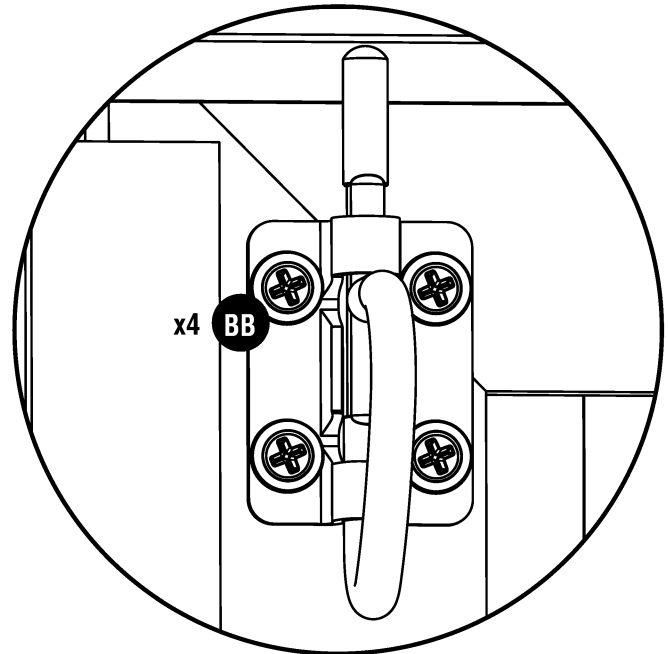
view of the inside of shed with back removed

63. Mark the four screw locations in Slide Bolt (KK) and pre-drill with 3/32" bit.



64. Secure Slide Bolt with four Washer Head Screws (BB).

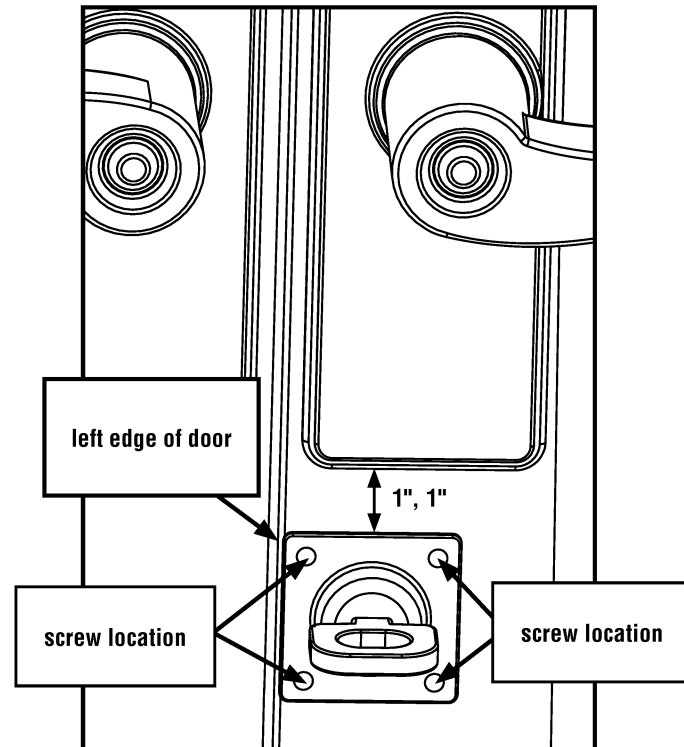
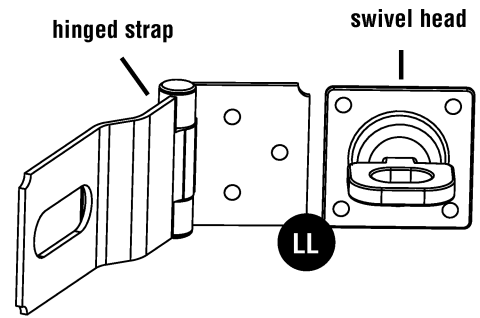
**NOTE: Slide Bolt should engage the inside surface of the Steel Header and keep the Left Door closed. When unlocked, the Slide Bolt should clear the Steel Header and allow the Left Door to be opened.**



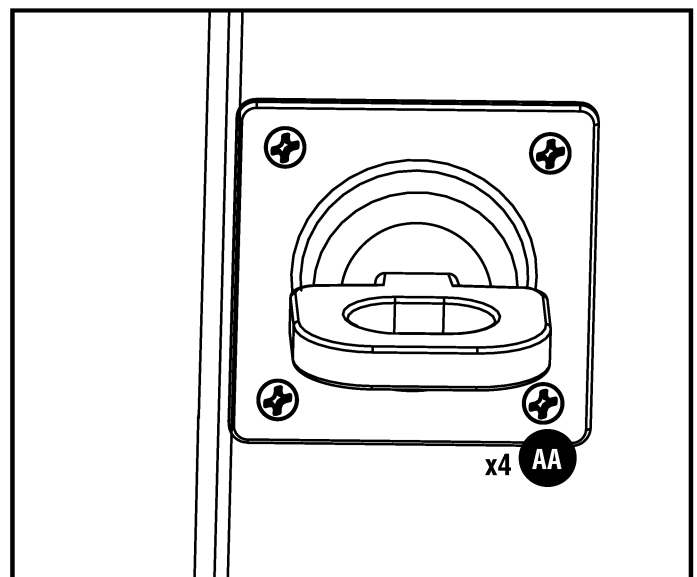
- 65.** With the Left Door closed and the Slide Bolt in locked position, close the Right Door.

The Swivel Hasp (LL) consists of two pieces; the hinged strap and the swivel head. Position the swivel head on the outside of the right door 1" below the handle and flush against left edge of door.

Mark the four screw locations in swivel head and pre-drill using a 3/32" bit.



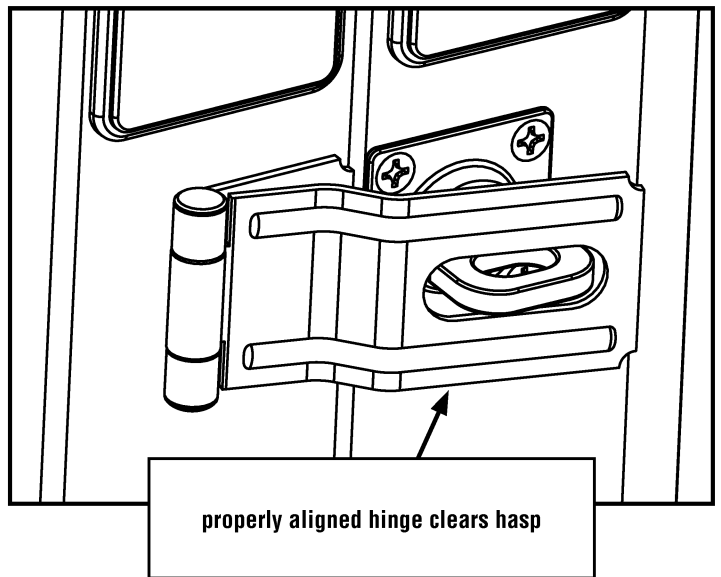
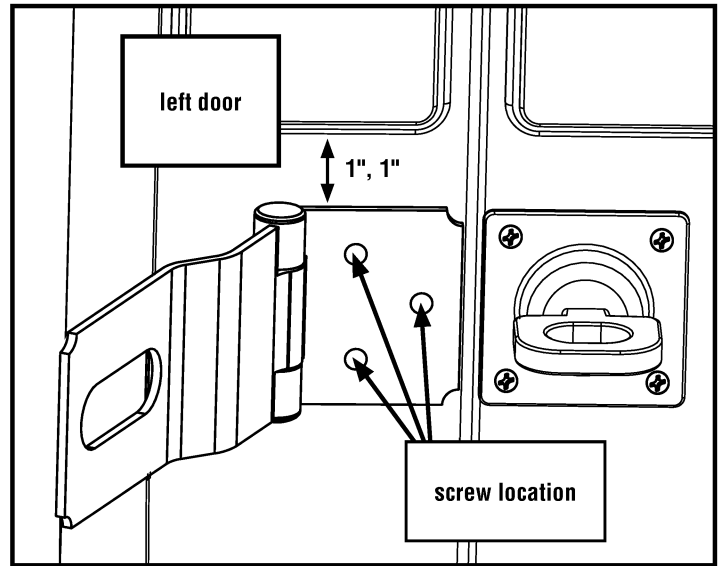
- 66.** Attach swivel head to right door with four Screws (AA).



67. On the Left Door, position the hinged strap 1" below the Left Face Plate.

**NOTE: The hinged strap must clear the swivel head. To ensure proper alignment, open and close hinged strap before attaching. Adjust, if necessary.**

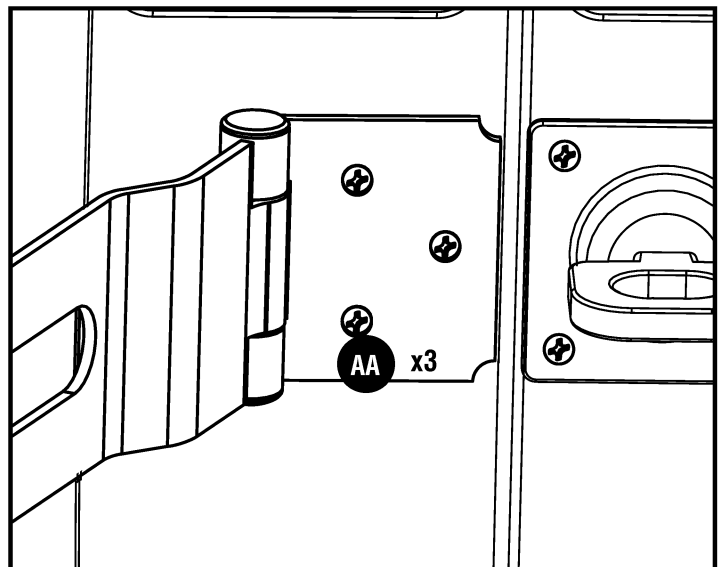
Mark the three screw locations in the hinged strap and pre-drill with a 3/32" bit.



68. Attach hinged strap with one Screw (AA).

Check that hinged strap clears the hasp. Adjust, if necessary.

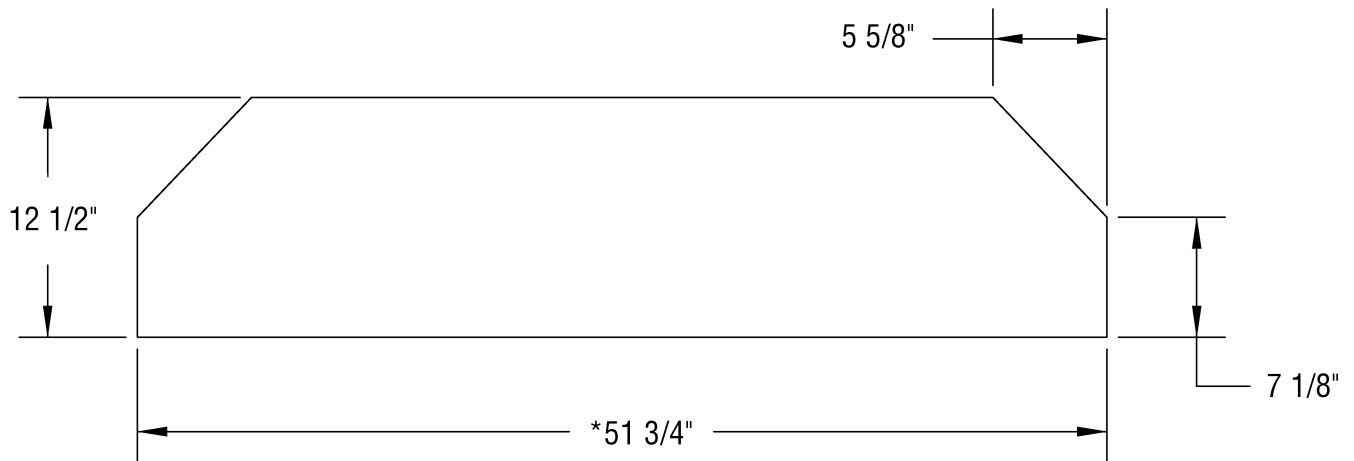
Insert remaining two Screws (AA).



---

## SHELF INSTALLATION

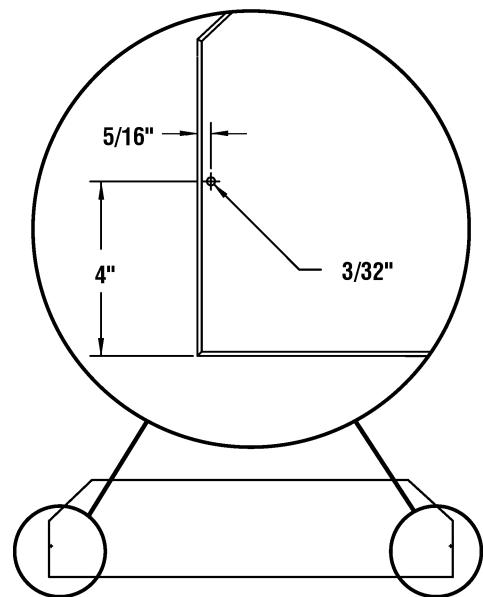
Shelving Template



1. Shelving can be added to the shed by utilizing the provided dimensions. Cut shelves to designated dimensions using 3/4" thick wood. See Shelving Template above.

**\*NOTE: Natural materials, such as wood, will vary in color, size and flatness. Please measure inside width of shed and adjust this dimension as necessary.**

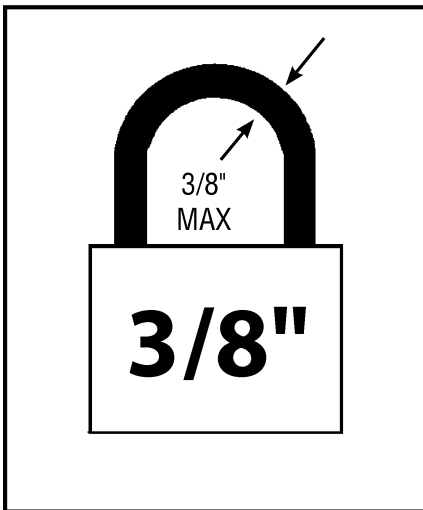
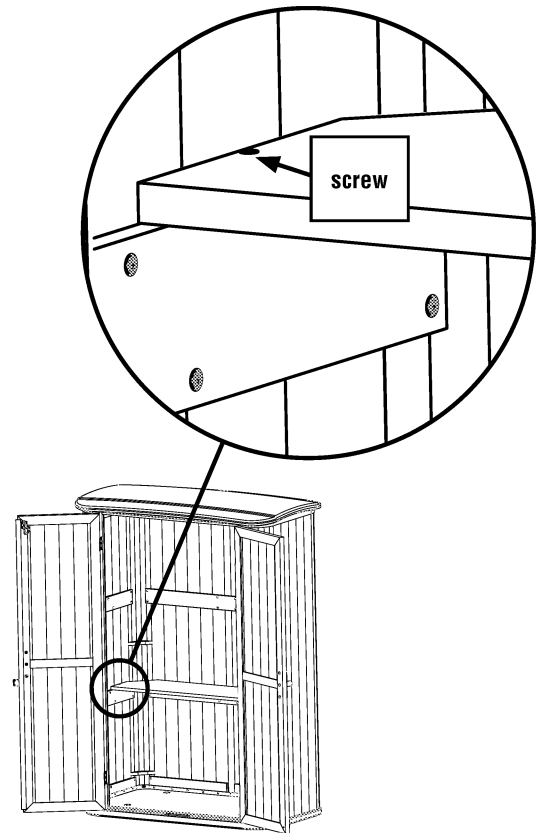
- 
2. Drill one 3/32" pilot hole into each side of shelf at positions shown.



**3. NOTE: If installing multiple shelves, install lowest shelf first.**

Shelf must be completely seated at all side and back panel shelf supports and firmly set against back panel of unit.

To mount the shelf, use #8 x 1.250 drywall screws through the pilot holes and into Side Support Braces. Use one screw per side of each shelf.



**Securing Your Shed:** To properly lock your shed using the Swivel Hasp feature, a 3/8" padlock is recommended.



## Warranty

Suncast® Corporation, 701 North Kirk Road, Batavia, Illinois 60510 (Manufacturer) warrants to the original purchaser only that the enclosed product is free from material and workmanship defects under normal, household use at time of purchase. Defective product or part must be returned, freight prepaid, to the Manufacturer's address (Attention: Parts Department) along with proof of purchase. Upon receipt of the aforesaid, the defective product or part will be repaired or replaced at the option of the Manufacturer without charge to the original purchaser and returned to the customer freight collect.

This limited warranty does not apply to damage resulting from accident, neglect, misuse, commercial use, alteration, operation not in accordance with instruction or repairs made or attempted by unauthorized persons.

This limited warranty applies only to the product enclosed and does not apply to accessory parts.

THE MANUFACTURER'S LIABILITY HEREUNDER IS LIMITED SOLELY TO THE REPAIR OR REPLACEMENT OF THE DEFECTIVE PRODUCT OR PART AND THE MANUFACTURER SHALL IN NO EVENT BE LIABLE FOR ANY INCIDENTAL OR CONSEQUENTIAL DAMAGES WHICH MAY RESULT FROM ANY DEFECT IN MATERIAL OR WORKMANSHIP OR FROM THE BREACH OF ANY EXPRESS OR IMPLIED WARRANTY.

Some states do not allow the exclusion or limitation of incidental or consequential damages, or a limitation of how long an implied warranty lasts, so the above limitations may not apply to you. This warranty gives you specific legal rights, and you may have other rights which may vary from state to state.

Patents Pending

### Suncast Products and Replacement Parts

To purchase Suncast replacement parts and learn about other Suncast products visit us online or call.



[www.suncast.com](http://www.suncast.com)  
24 hours a day, 7 days a week, 365 days a year.



1-800-846-2345 or 1-630-879-2050  
Monday - Friday 8:00 am - 4:30 pm Central Time