



3 TRAY ORNAMENT STORAGE BAG

MODEL #: SB-10152

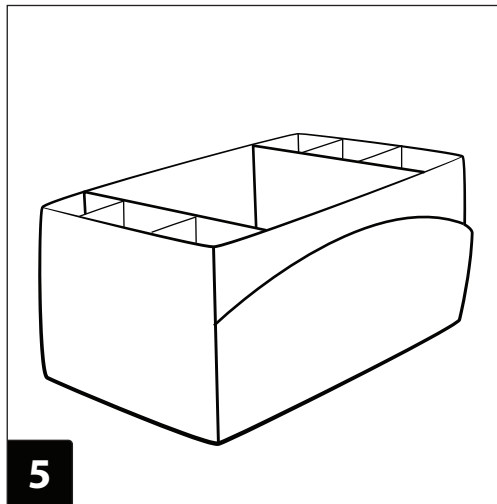
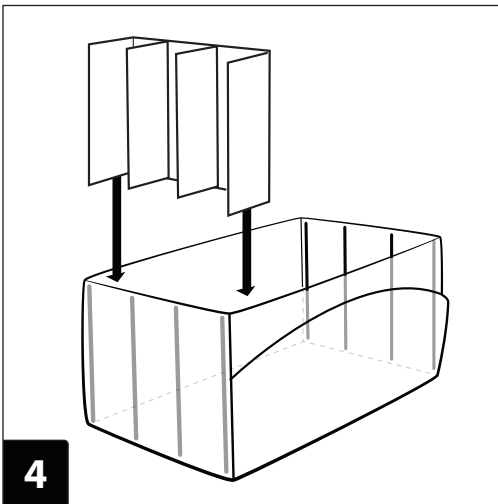
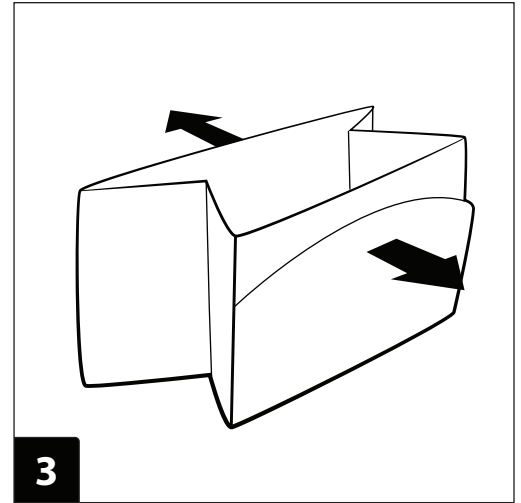
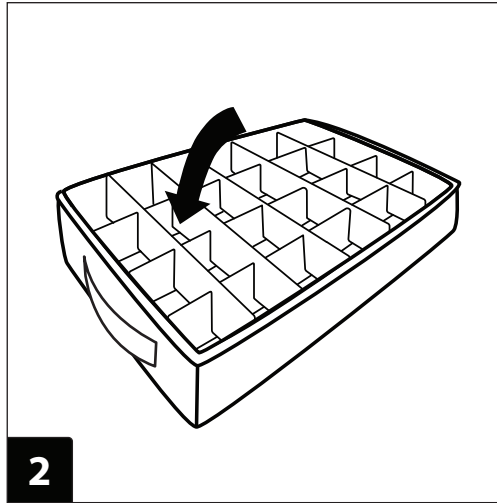
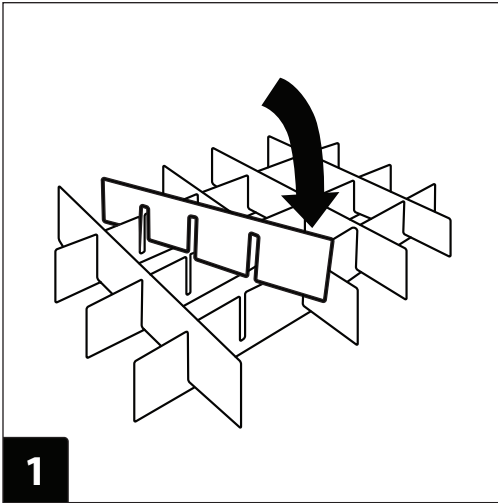
IMPORTANT, RETAIN FOR FUTURE REFERENCE: READ CAREFULLY

For assistance with assembly or installation, parts and customer service:

www.SantasBags.com | Support@VillageLighting.com

Intended for indoor use

ASSEMBLY INSTRUCTIONS

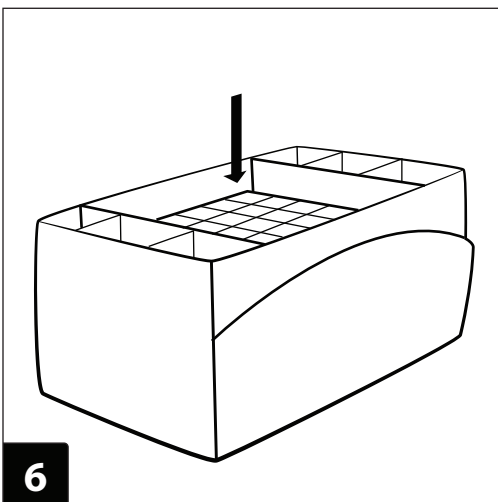


1. Assemble the tray structure by crossing the long sections with the short sections and inserting them in the slots on each piece as shown.

NOTE: Repeat this step for each of the three tray structures.

2. Insert each assembled tray-dividing structure into each holding tray.

3. Expand the storage bag open by pulling the front and back in opposite directions.



4. Insert the side pocket dividers as shown. Make sure to attach the four Velcro strips on the dividers with the Velcro strips along the inside of the storage bag.

5. With your trays built and your side pocket dividers installed you are now ready to store your ornaments.

6. Store your ornaments in the trays and then place the trays on top of one another in the center section of the bag. You may also store your larger ornaments or decor in the side pockets, as well as a tree skirt, lights, or other decor in the front pocket.