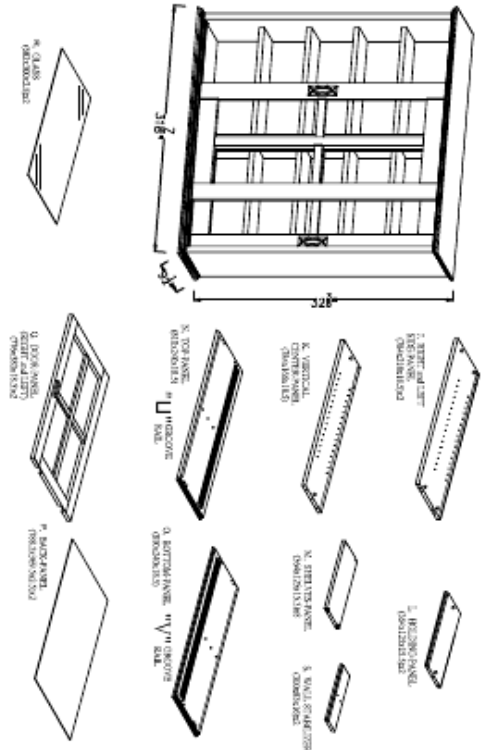


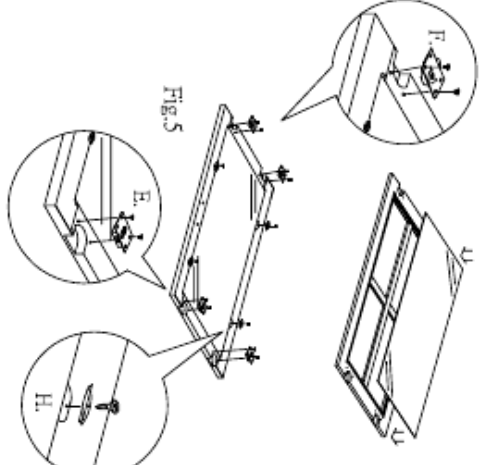
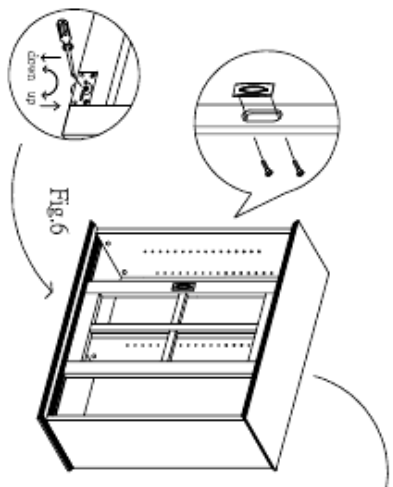
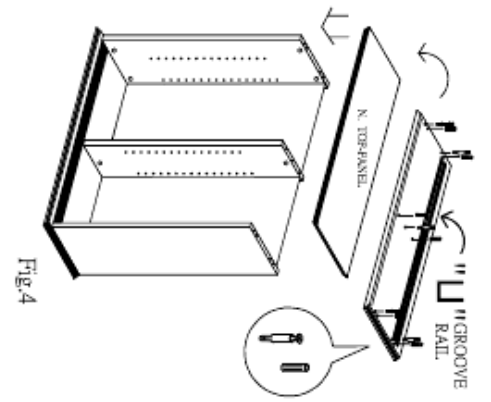
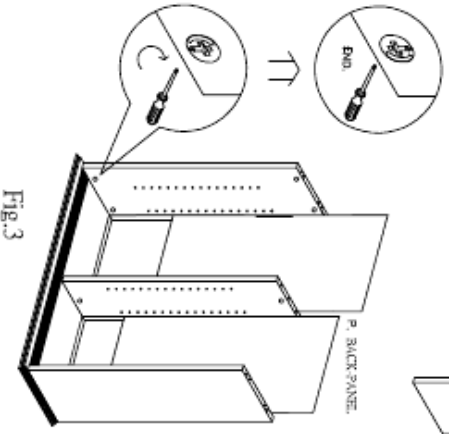
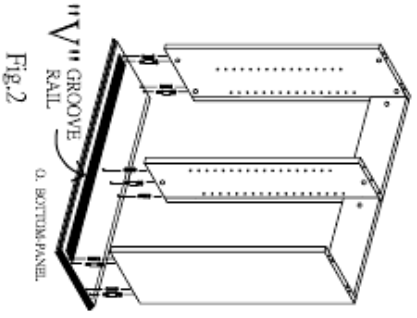
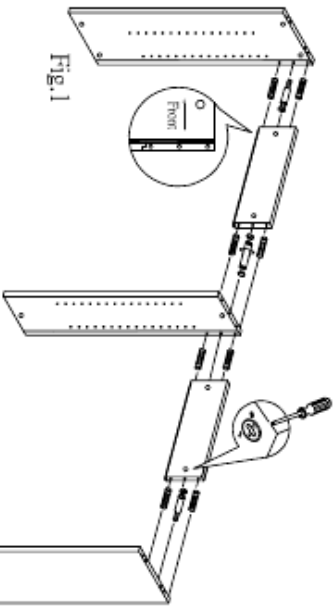
MS-350

A. TOP PANEL	1. GROOVE RAIL
B. DOOR PANEL	2. VERTICAL CENTER-PANEL
C. DOOR PANEL	3. VERTICAL DOOR-PANEL
D. DOOR	4. DOOR
E. DOOR	5. WALL STABILIZER
F. DOOR	6. DOOR
G. DOOR	7. DOOR
H. DOOR	8. DOOR
I. DOOR	9. DOOR
J. DOOR	10. DOOR

IF YOU HAVE ANY DIFFICULTY ASSEMBLING PLEASE CONTACT LESLIE DAME ENT at 718-261-0919 from 9 AM to 3 PM



- A** **cm**
- J. RIGHT and LEFT SIDE-PANEL\*2
  - K. VERTICAL CENTER-PANEL
  - Q. DOOR-PANEL\*2
  - P. BACK-PANEL\*2
  - R. GLASS\*2
- B** **cm**
- N. TOP-PANEL
  - O. BOTTOM-PANEL
  - L. HOLDING-PANEL\*2
  - M. SHELVES-PANEL\*8
  - S. WALL STABILIZER\*2
- Hardware



Hanging the Cabinet  
Lower the Cabinet onto the wall Mounting Kist until the rear Mounting Kist fits snugly into the wall stabilizer.

