









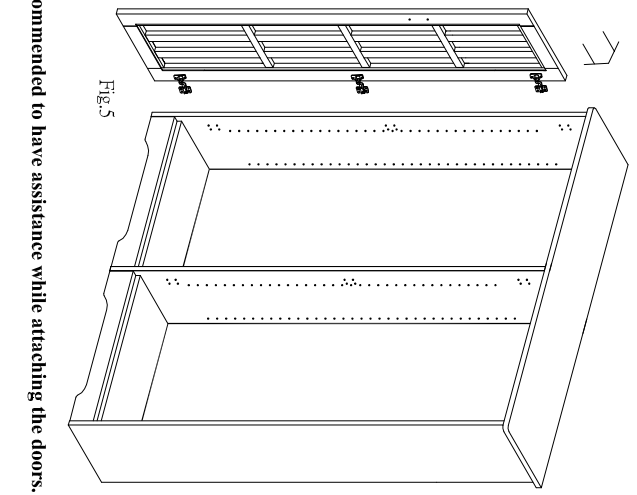
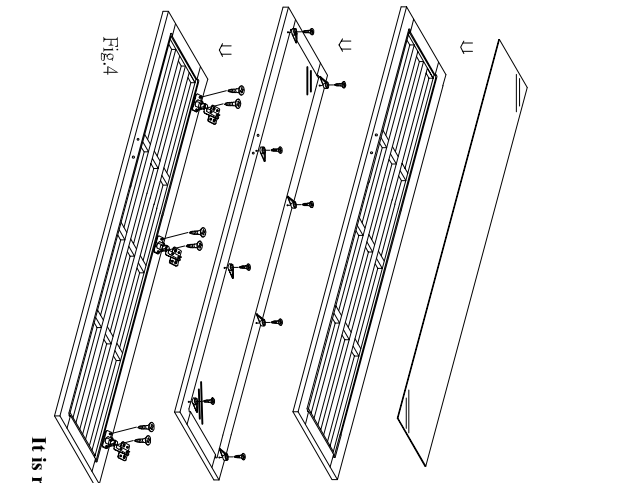
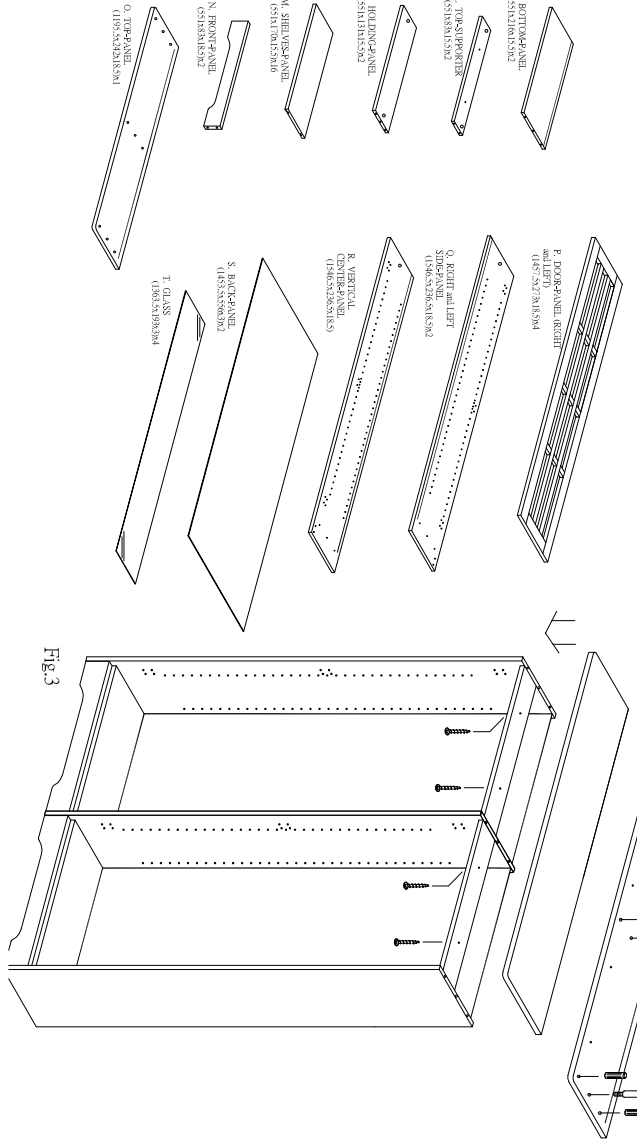
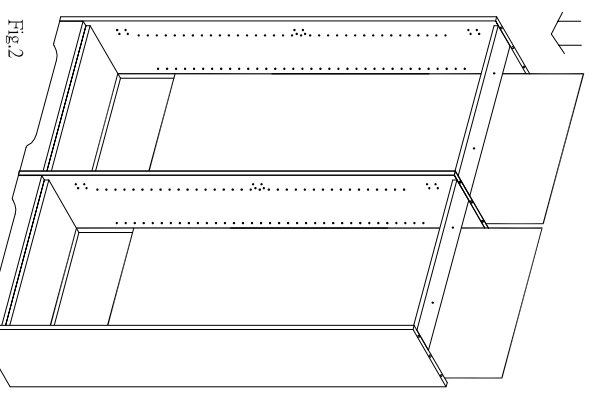
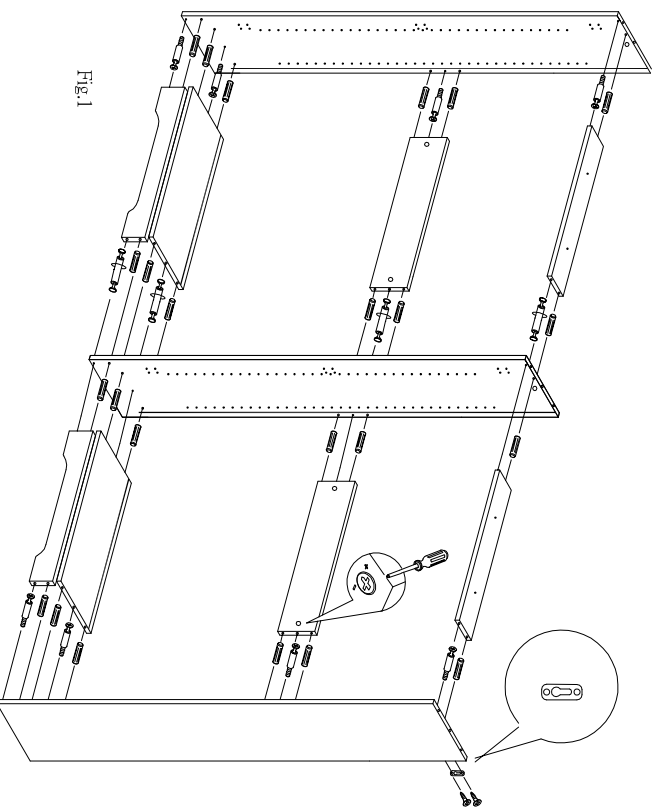
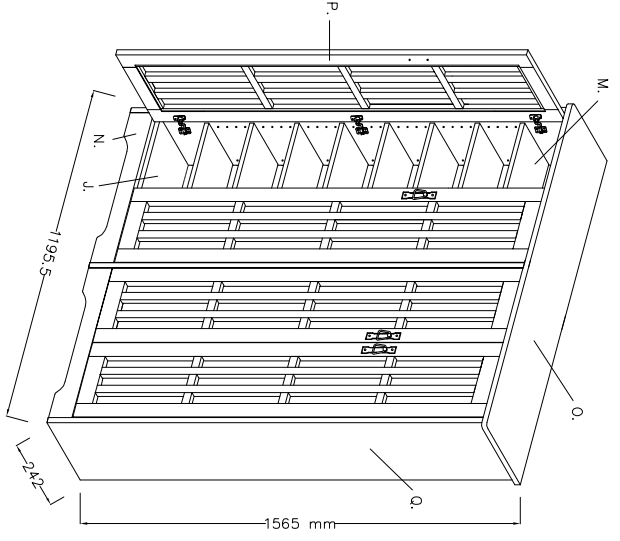


M-954

- A.  *11
Ø 5*11mm
- B.  *30
Ø 6,8*25mm
- C.  *4
- D.  *64
- E.  *4
- F.  *12
- G.  *4
- H.  *32
- I.  *3
- J.  *1

IF YOU HAVE ANY DIFFICULTY
ASSEMBLING PLEASE CONTACT
LESILE DANIE ENT
at 718-261-4919
from 9 AM to 5 PM



- I. BOTTOM PANEL (5191216M52)
- J. TOP PANEL (5191331M52)
- K. RIGHT PANEL (5191332M52)
- L. LEFT PANEL (5191333M52)
- M. SIDE PANEL (5191701M52)
- N. FRONT PANEL (5191815M52)
- O. TOP PANEL (1195254M52)

- P. DOOR PANEL RIGHT AND LEFT (1491502/3M52)
- Q. RIGHT AND LEFT (1158623/3M52)
- R. VERTICAL CENTRAL (1158623/3M52)
- S. BACK PANEL (1453333M52)
- T. DOOR (1490233M52)

Fig. 3

Fig. 4

Fig. 5

It is recommended to have assistance while attaching the doors.