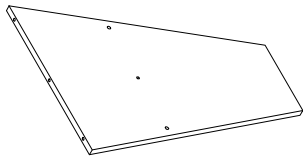
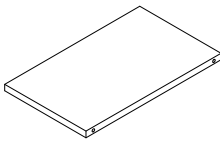
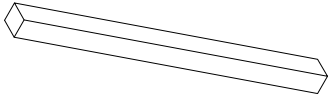
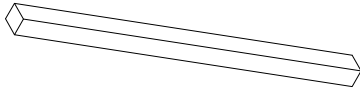
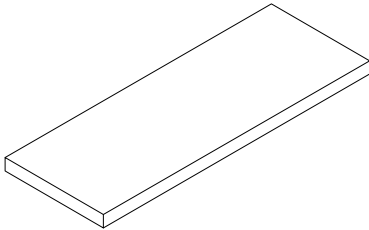
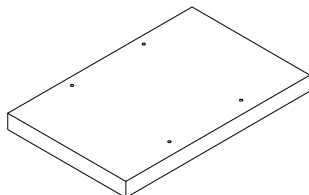
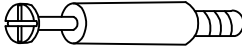








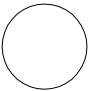
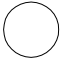




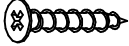

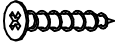
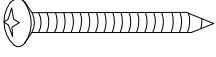
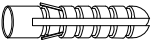
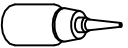
IDENTIFICATION DES PIÈCES
PARTS IDENTIFICATION

1		PANEL ARRIÈRE BACK PANEL	1MC/PC
2		TABLETTE SHELF	1MC/PC
3		PATTE LEG	1MC/PC
4		PATTE LEG	1MC/PC
5		PANNEAU DU DESSUS TOP PANEL	1MC/PC
6		PANNEAU DU BAS BOTTOM PANEL	1MC/PC

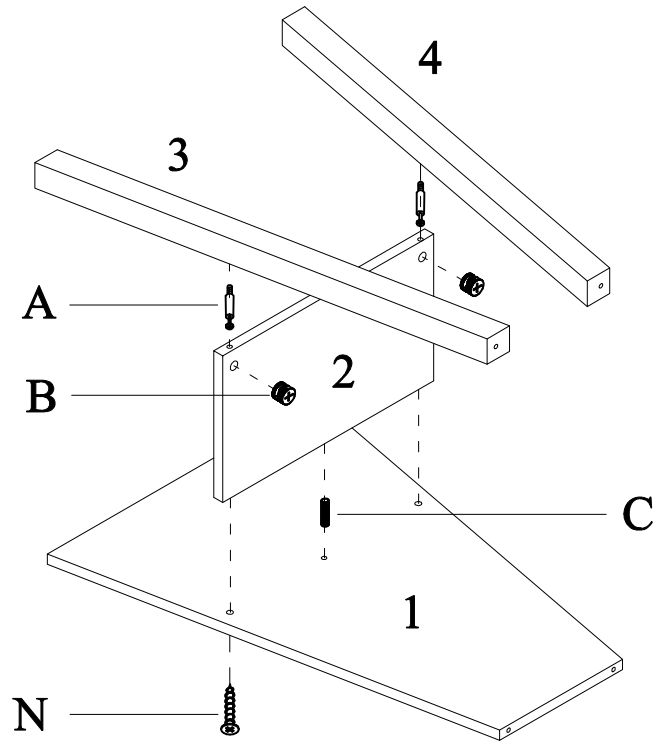
IDENTIFICATION DES PIÈCES DE MONTAGE
HARDWARE IDENTIFICATION

A		L=29mm	4MCX/PCS
B		Ø15mm	4MCX/PCS
C		Ø8×25mm	3MCX/PCS
D		Ø8mm	2MCX/PCS
E		Ø8mm	2MCX/PCS
F		Ø8×70mm	2MCX/PCS
G		Ø6×65mm	2MCX/PCS
H		Ø10×15mm	2MCX/PCS
I		M4mm	1MC/PC
J		Ø45mm	2MCX/PCS
K		Ø15mm	2MCX/PCS
L		M14mm	1MC/PC
M		Ø7×58mm	2MCX/PCS

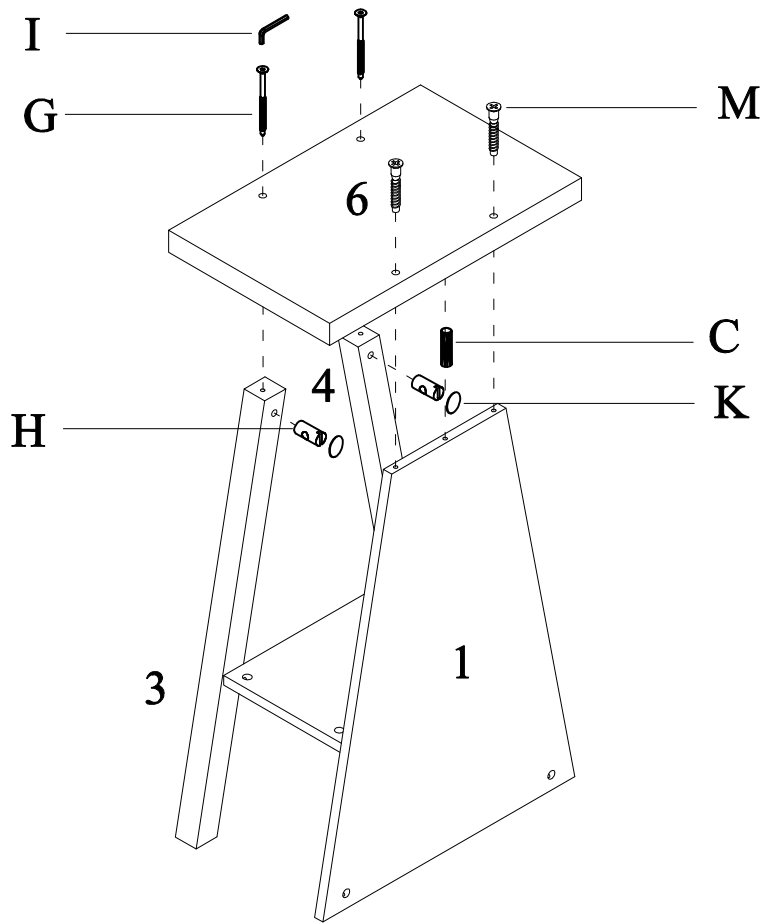
IDENTIFICATION DES PIÈCES DE MONTAGE
HARDWARE IDENTIFICATION

N		Ø4×40mm	2PCS/MCX
O		200×12mm	1PC/MCX
P		Ø4×25mm	1PC/MCX
Q		Ø5×40mm	1PC/MCX
R		Ø8×40mm	1PC/MCX
S		10g	1PC/MCX

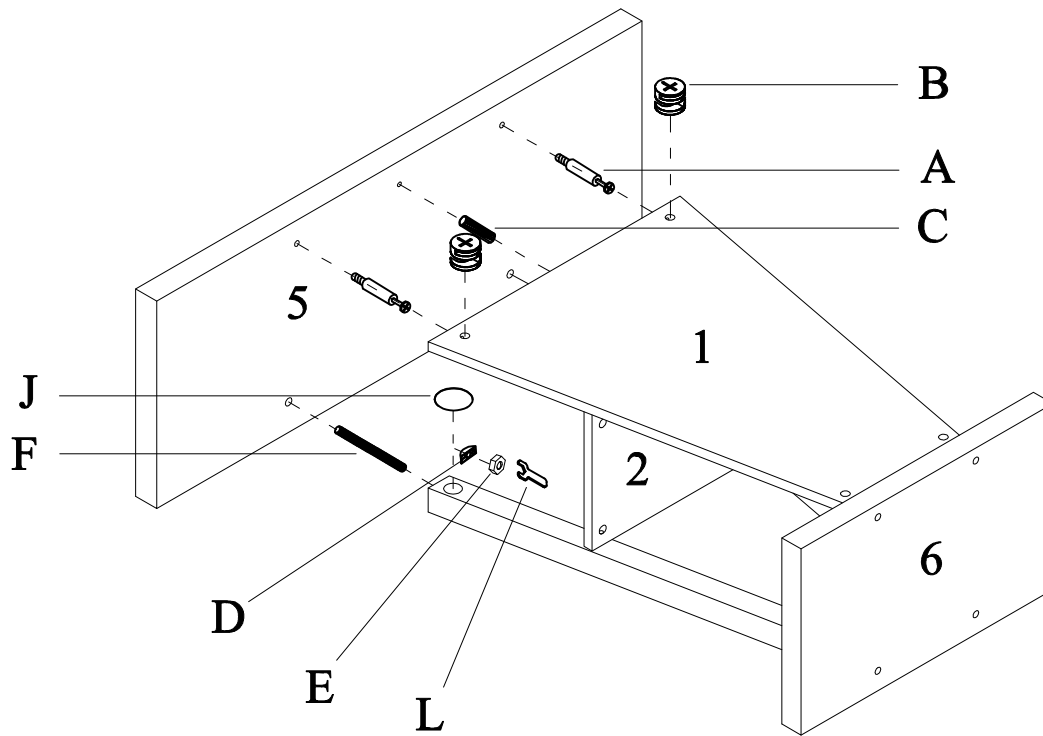
ÉTAPE / STEP 1



ÉTAPE / STEP 2



ÉTAPE / STEP 3



ÉTAPE / STEP 4

