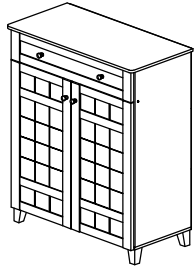
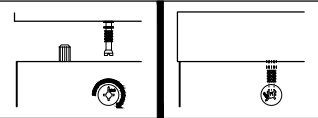


Assembly Instruction

Model : FP - 1203

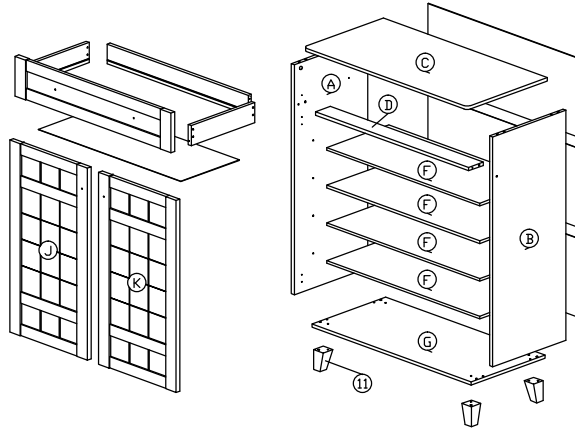


Dowel / Cam - Lock Installation

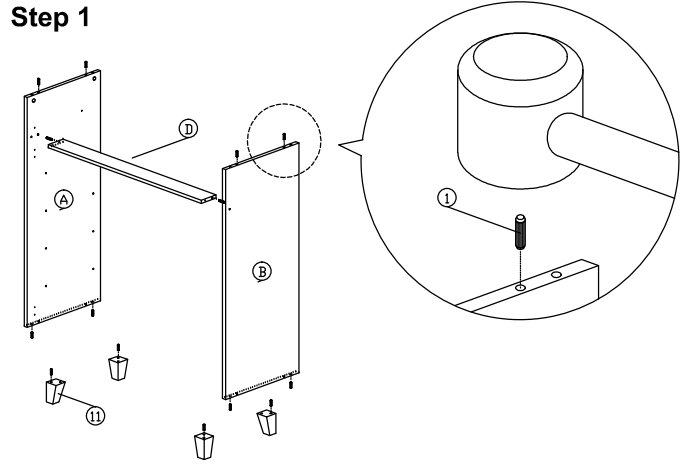


Hardware List			
No.	SHAPE	DESCRIPTION	Qty.
1		8x25mm Wood Dowel	14Pcs
2		15MM Titus Mini Fix	4Sets
3		M3.5x15mm Screw	8Pcs
4		TP 10#x1/2" Screw	16Pcs
5		M4x38mm Screw	14Pcs
6		M7x40mm Screw	4Pcs
7		Nail	30Pcs
8		Shelf Support	16Pcs
9		Hinges (012)	4Sets
10		L Key	1Pc
11		Wooden Leg	4Pcs
12		Handle (9988) M4x30mm (Handle Screw)	4Sets
13		Drawer Slide = 300mm	1Set

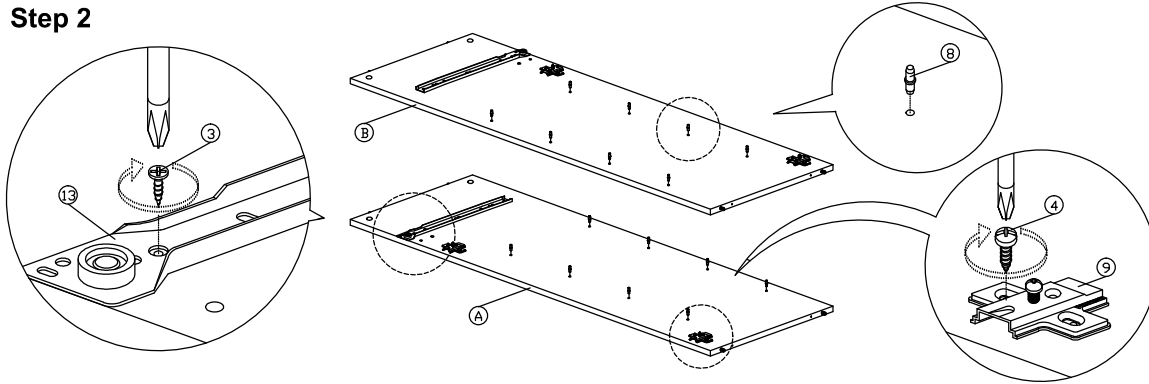
Part List



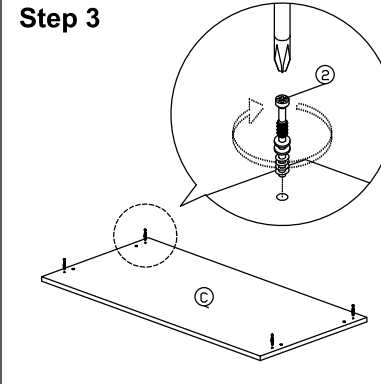
Step 1



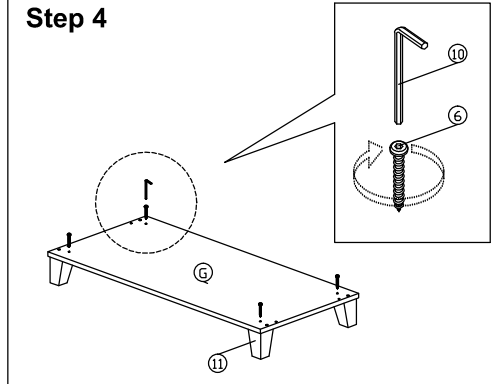
Step 2



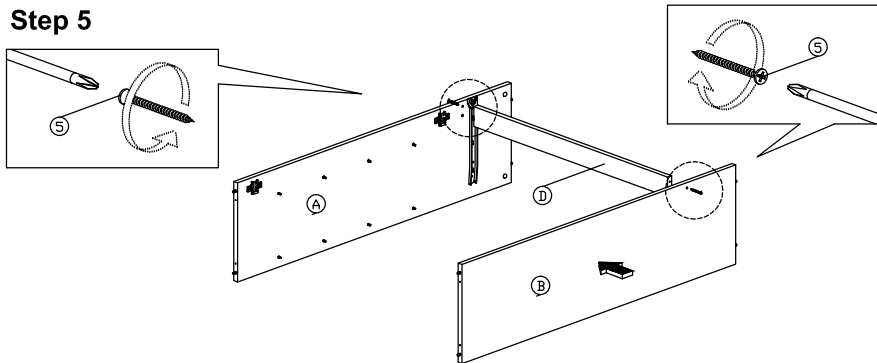
Step 3



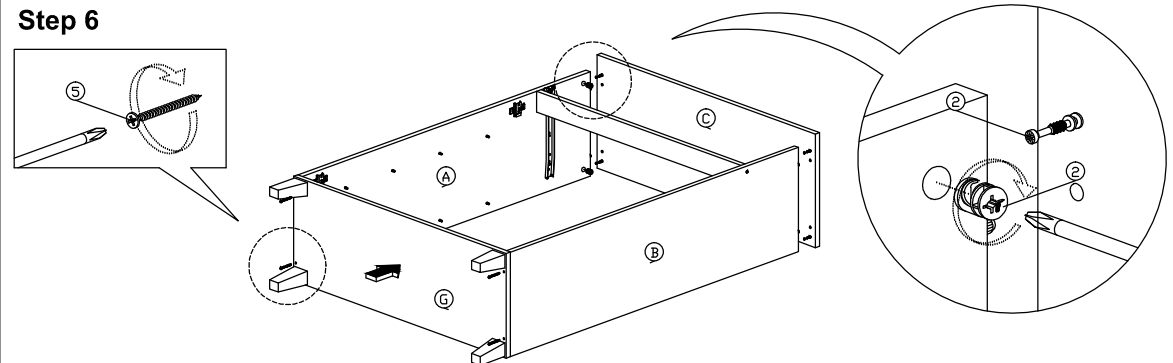
Step 4



Step 5

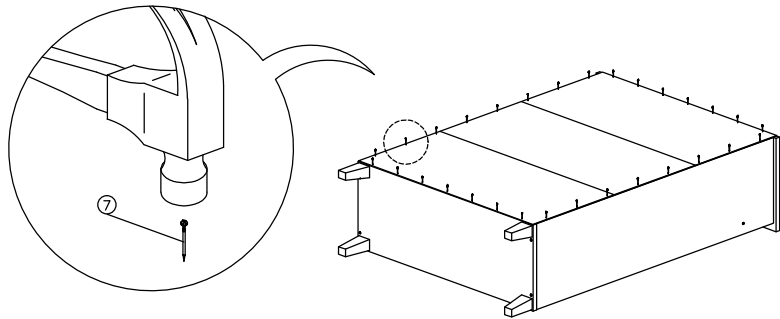


Step 6

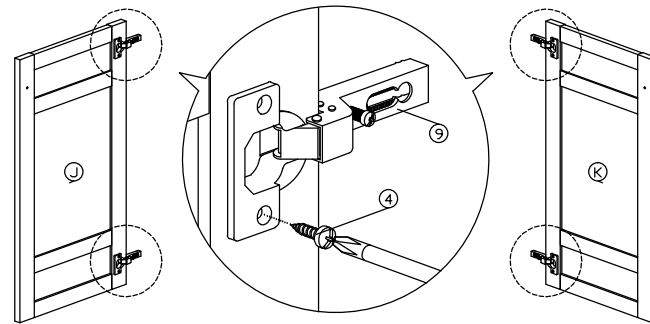


Assembly Instruction

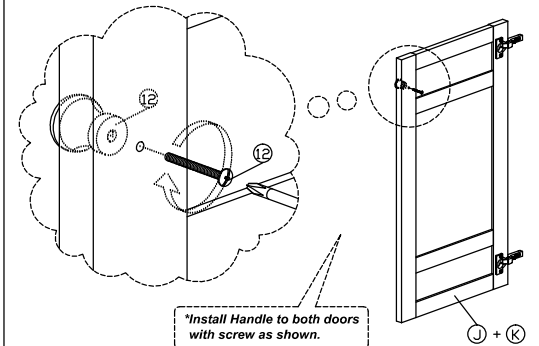
Step 7



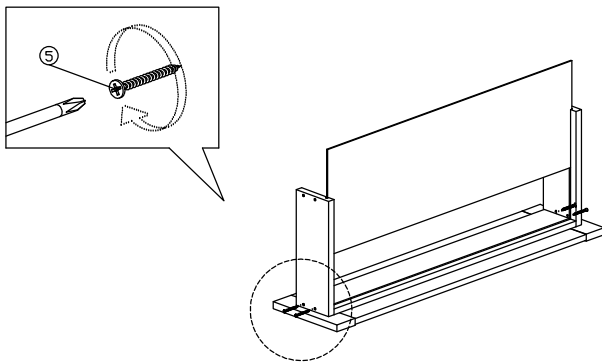
Step 8



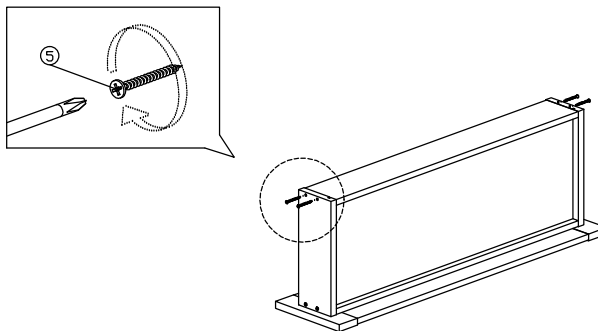
Step 9



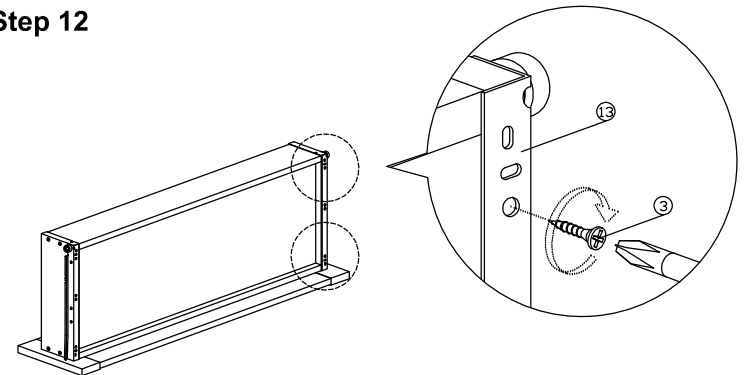
Step 10



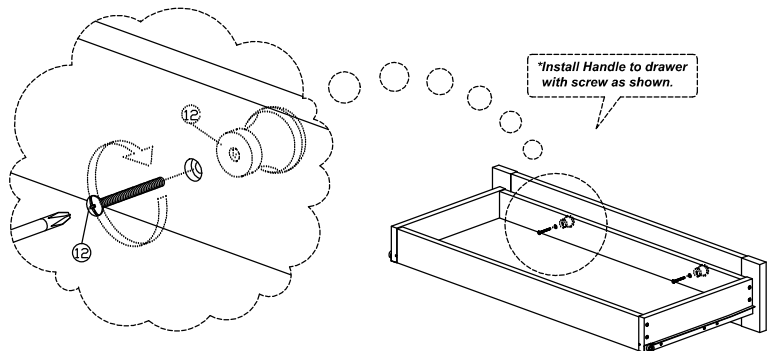
Step 11



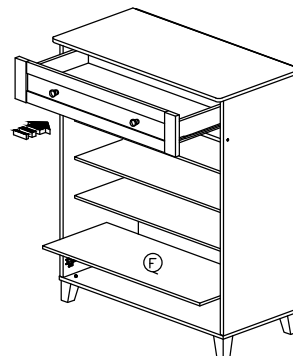
Step 12



Step 13



Step 14



Step 15

