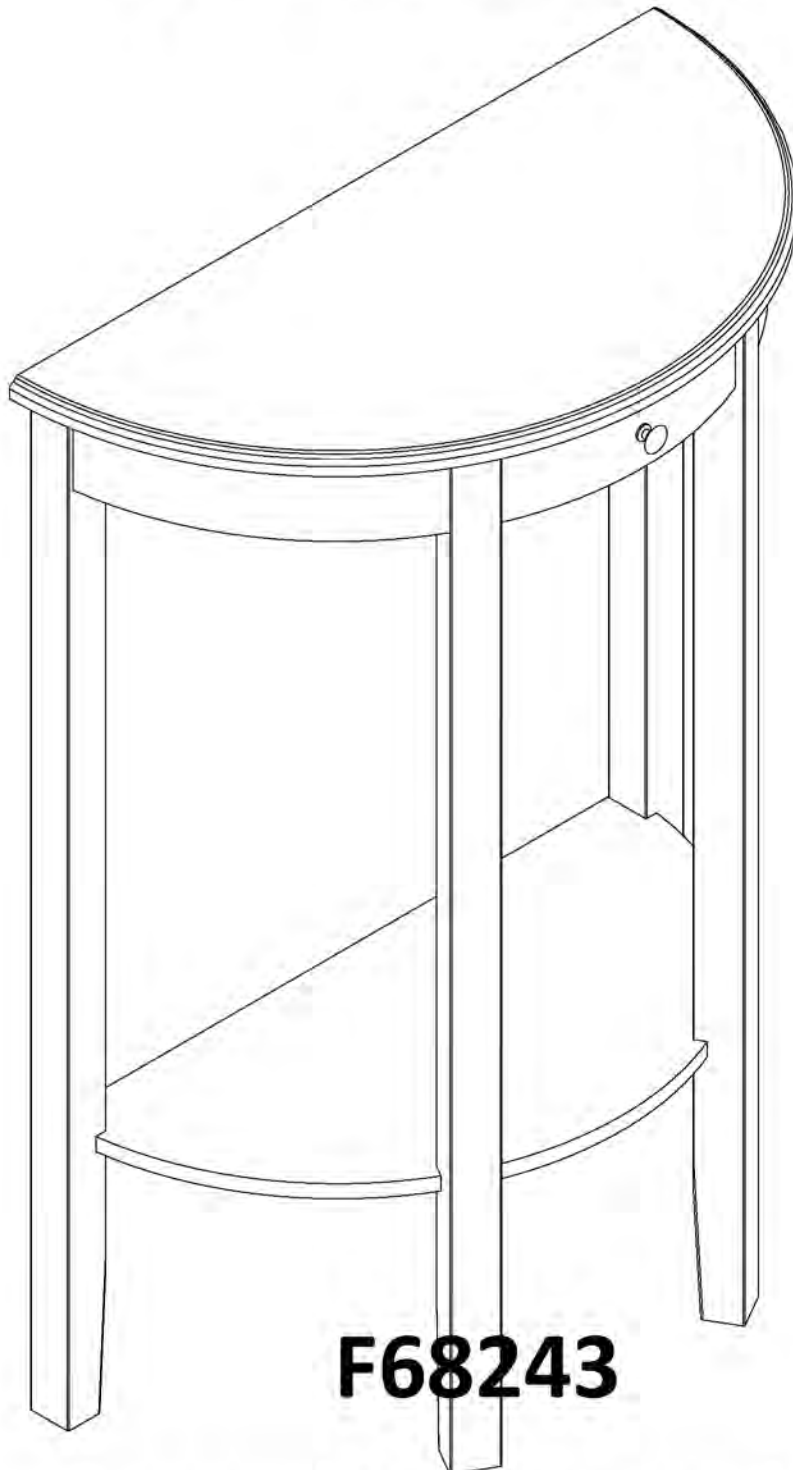


BayShore

C O L L E C T I O N

Half Round Table



F68243

Assembly Instructions

Congratulations for choosing Bay Shore Collection Furniture!

This item has been manufactured from high quality materials for home use.

Please read this manual and familiarize yourself with all the parts prior to assembly.

Follow each step as shown

Caring for your Bay Shore Collection Furniture:

Keep your furniture free from dust

Wipe surfaces with a clean, lint free cloth.

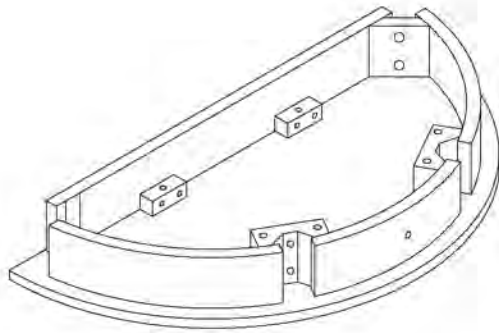
Use only a mild furniture polish to retain the wood's luster and finish.

Do not place anything with a rough or wet bottom directly on the table as scratches and or "water rings" may occur.

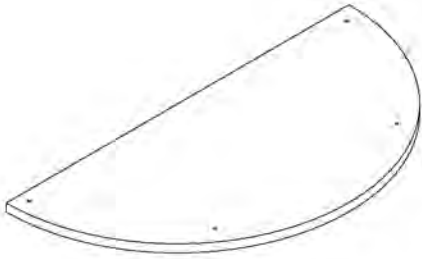
Occasionally check and tighten leg and drawer hardware.

Never "drag" or pull your furniture across the floor, always (and with the help of another person) lift your furniture and place it where you want it.

Take care of your Bay Shore Collection Furniture and you will enjoy it for years to come!



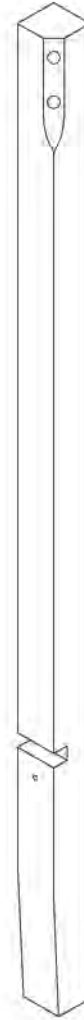
Ⓐ 1PC
Top Shelf



Ⓑ 1PC
Fixed Shelf



Ⓒ 1PC
Feet



Ⓓ 1PC
Feet

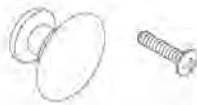


Ⓔ 2PCS
Feet

You will need a small Phillips head screwdriver for assembly.



① 4SETS
Corner Brace



② 1SET
Knob



③ 4SETS
Screws

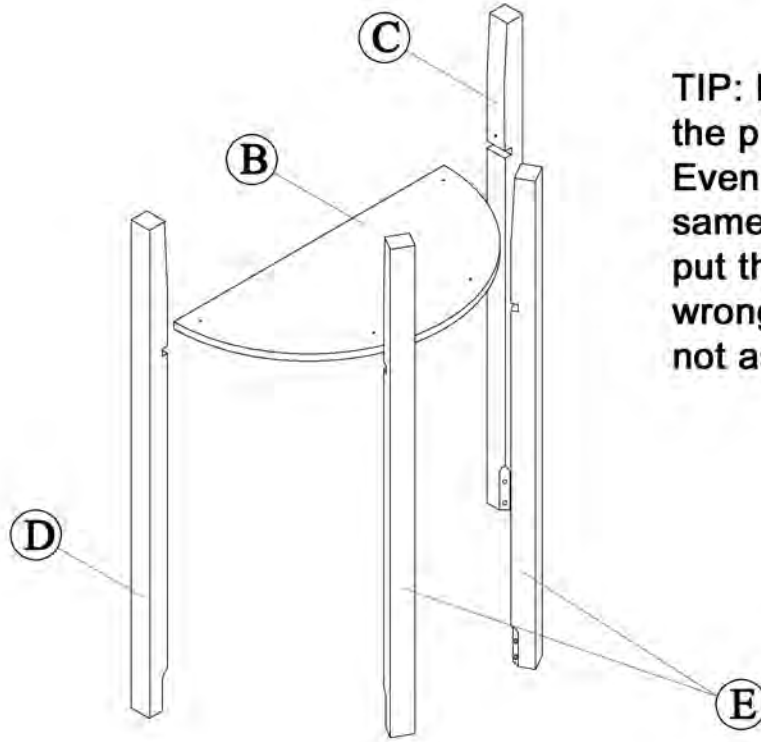


④ 4SETS
Screws



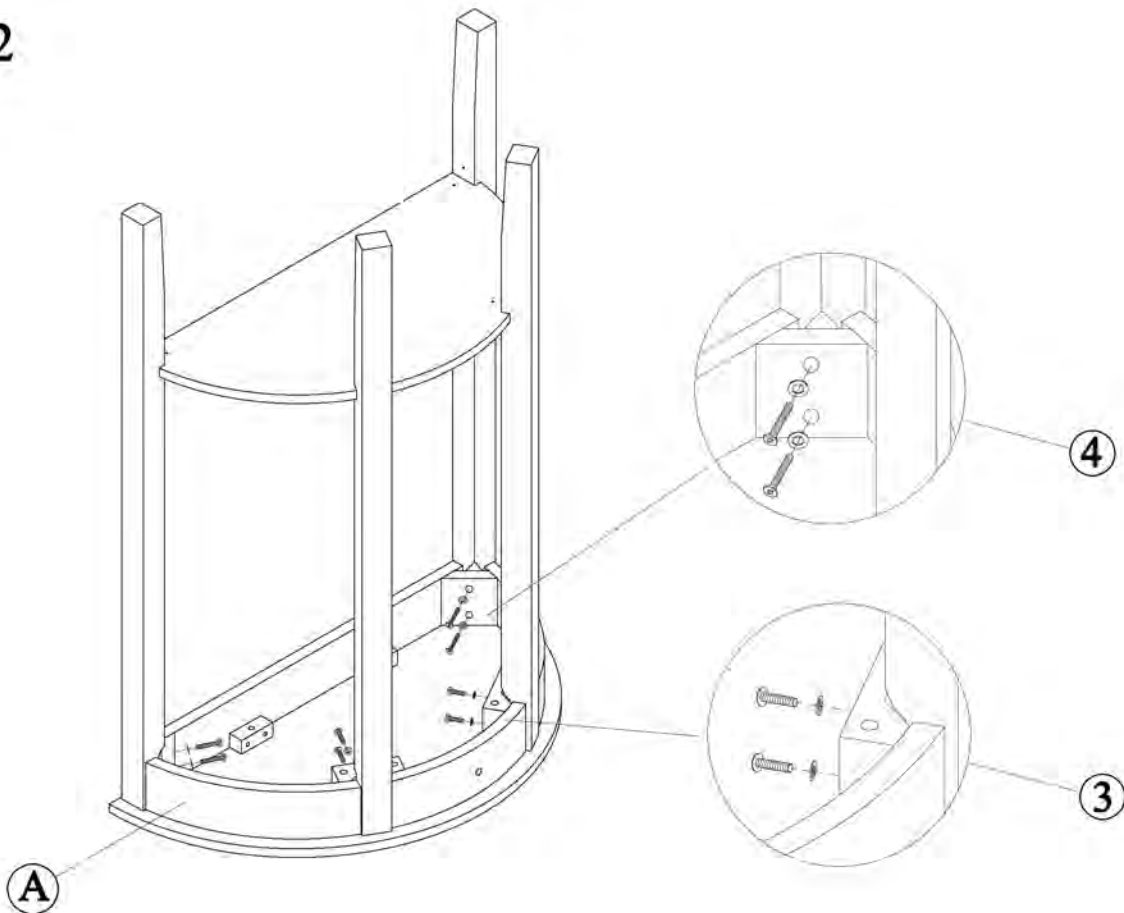
⑤ 1PC
Allen Wrench

Step 1

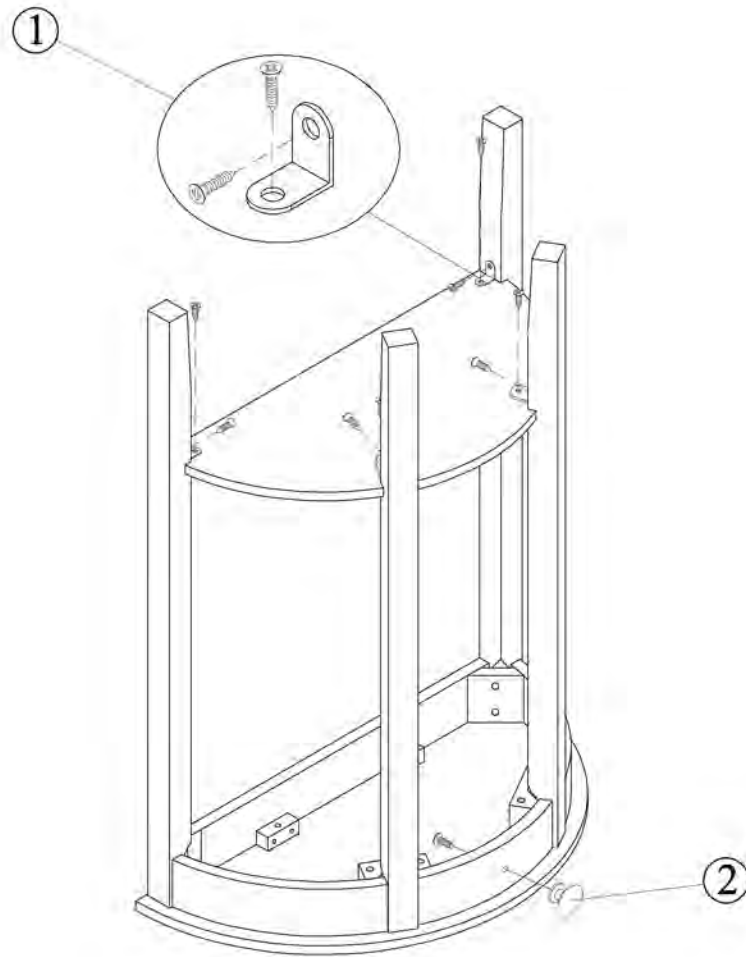


TIP: Pay close attention to the placement of the legs. Even though they look the same, they are not! If you put the wrong leg in the wrong spot the table will not assemble correctly.

Step 2



Step 3



BayShore

C O L L E C T I O N

Limited Warranty

This product is warranted to be free of defects in workmanship or materials from the time of purchase for a period of 90 days.

Should evidence of defects in materials or workmanship appear with the 90 day limited warranty period after the date of purchase Lion Sports Inc. will either repair or replace the defective part at its option. This limited warranty covers normal consumer usage. This limited warranty does not cover institutional or commercial use and does not cover failures which result from alterations, accidents, misuse, abuse neglect or acts of God.

Do not return this product to the store or place of purchase they are not equipped to handle warranty requests. All warranty requests require a return authorization number issued by Lion Sports Inc.

Proof of purchase or other proof of the date of purchase is required. Requests for warranty service can be made at 1-877-244-5466 between the hours of 9am and 4pm EST or via the internet at customerservice@lionsportsinc.com

This warranty gives you specific legal right and you may have other rights which vary from state to state.

Thank you for purchasing this quality Bayshore Collection Product.

**Lion Sports Inc.
701 Koehler Ave. Ste 2
Ronkonkoma, NY 11779
Toll Free Customer Service Hotline –
1-877-244-5466
Or customerservice@lionsportsinc.com**

