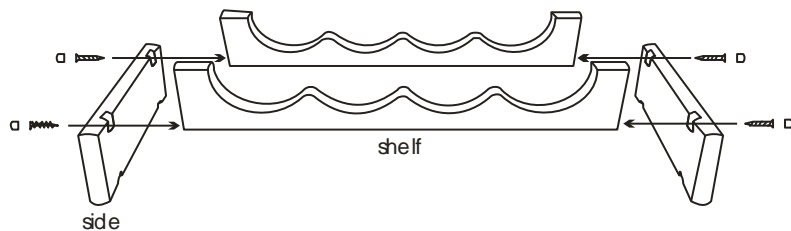


PACKAGE CONTENTS

Please verify that you have the correct number of parts before proceeding. Depending on the model you purchased, your bundle should contain the following:

Model	Sides	3			Display Top
		Bottle Shelf	Screws	Buttons	
WR31	2	2	4	4	
WR32	4	4	8	8	
WR33	6	6	12	12	
WR34	8	8	16	16	
WR35	10	10	20	20	
WR36	12	12	24	24	
WR37	14	14	28	28	
WRD3	2		4	4	1

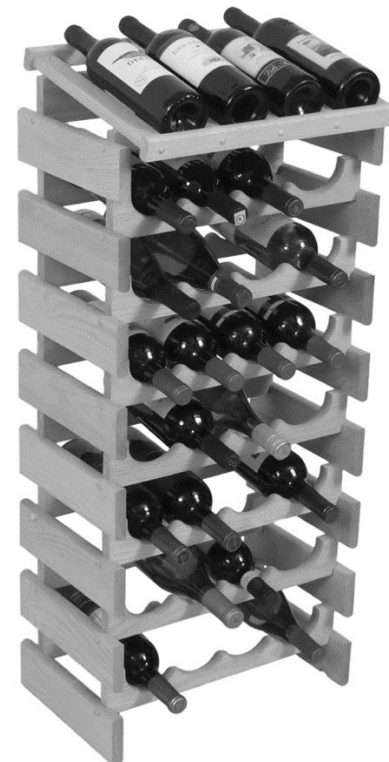
Model	Sides	4			Display Top
		Bottle Shelf	Screws	Buttons	
WR41	2	2	4	4	
WR42	4	4	8	8	
WR43	6	6	12	12	
WR44	8	8	16	16	
WR45	10	10	20	20	
WR46	12	12	24	24	
WR47	14	14	28	28	
WRD4	2		4	4	1



ASSEMBLY INSTRUCTIONS

Wine Rack Kits (All Models)

Thank you and congratulations on purchasing a quality American Made product. Properly assembled, your Dakota Wine racking will beautifully enhance your wine collection for many years to come.



Tools Needed For Assembly:



Phillips Head
Screwdriver



Hammer



Scan to see our assembly video.

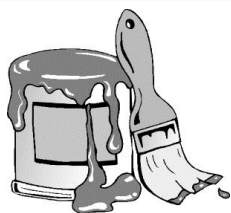
Questions? Visit DakotaWineRacks.com

**Check out our instructional video online at
DakotaWineRacks.com**

PLEASE FOLLOW WRITTEN INSTRUCTIONS CAREFULLY

1. Find an open, flat area in which to work. Carefully remove all components from the box. Check the parts list on back page to verify package contents.
2. Assemble each section by choosing two sides, 2 shelves (or 1 display top), 4 screws and 4 buttons. Match the bottom of one of the shelves up with a predrilled notch on the side. Using a Phillips head screwdriver, carefully screw through side into the predrilled hole on the shelf. Tighten until the two pieces are snug together. Repeat until all four pieces are attached. Use a hammer to tap buttons into screw holes.
3. Repeat process for remaining shelves.
4. Set rack on flat surface. If it wobbles, twist it slightly by hand until it sits flat. Make sure that the shelves are straight up and down so that it will line up with the slots from other racks when stacking multiple units together.
5. When stacking unit together, you'll find that shelves have a slight give to them that allows you to get a tight fit. If pieces don't match up exactly, don't be afraid to tweak and bend things a bit to get them together.

Watch our online assembly video to see more tips and tricks to help you get a perfect fit when stacking your shelves.



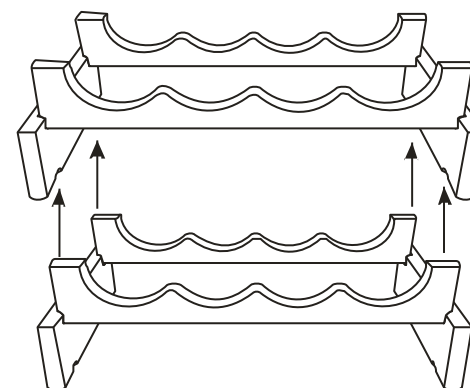
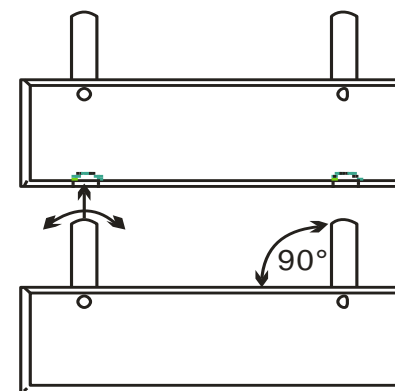
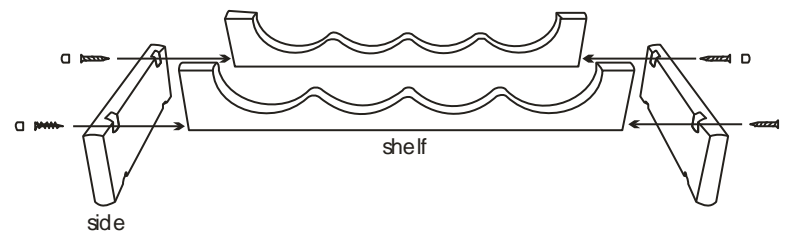
Planning to stain?

For best results we recommend you stain or finish your racking BEFORE assembly.

Attaching your rack to the wall

To avoid tipping attach your racking to the wall using the following method.

1. Put the rack in your desired location.
2. Shim the front of the rack so it is even with the back wall.
3. Use "L" brackets (available at any hardware store).
4. Attach to both the rack and the wall in any out of the way spot.



Dakota Wine Racks by Wooden Mallet
DakotaWineRacks.com