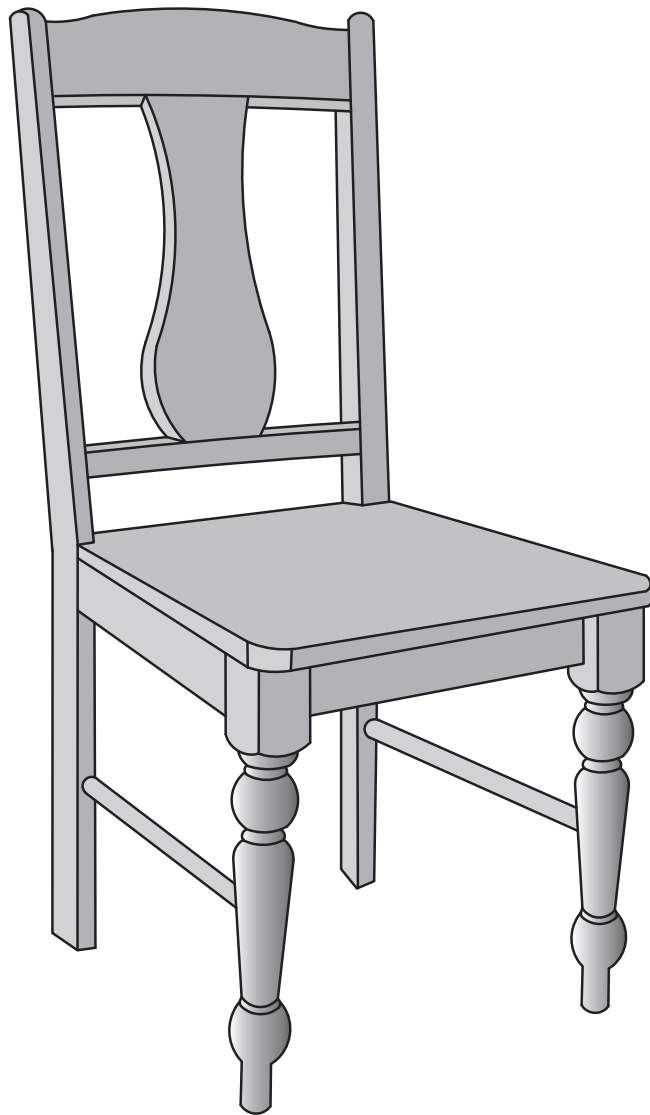


WE Walker[®]
Edison
furniture company

Item # : CHW2TL
Assembly Instructions



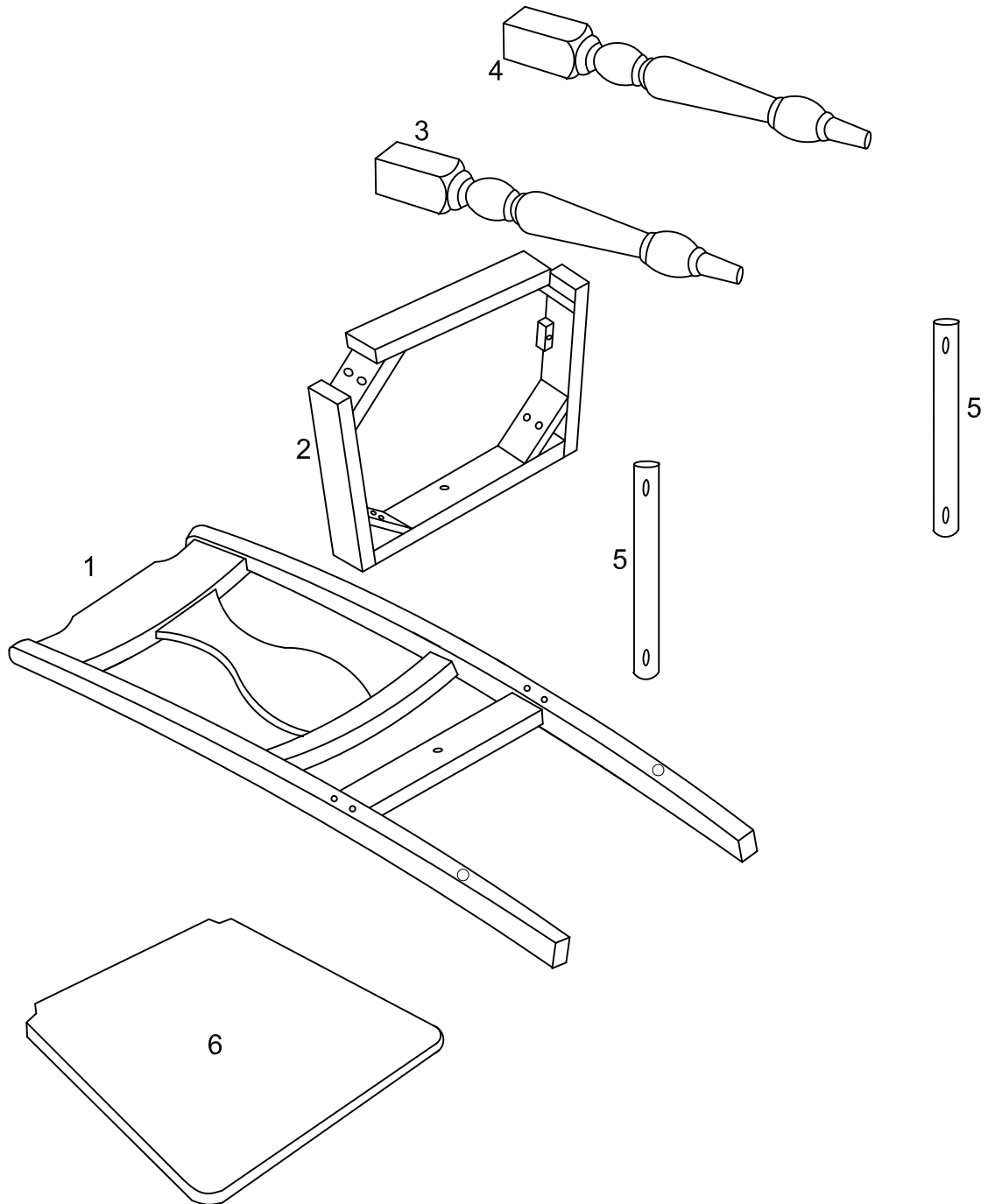
For the most current instructions, additional assembly tips, to report damage or request parts, please visit our website at www.walker-edison.com.

Revised 03/2017






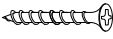
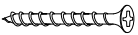

General Assembly Guidelines

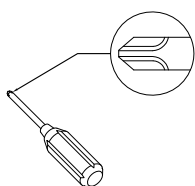
- I. Ensure that all parts and hardware are available before beginning assembly.
- II. Follow each step carefully to ensure the proper assembly of this product.
- III. Two people are recommended for ease in the assembly of this product.
- IV. The three main types of hardware used to assemble this product are : spring washers , washers , screws and bolts.

Parts List



Hardware List

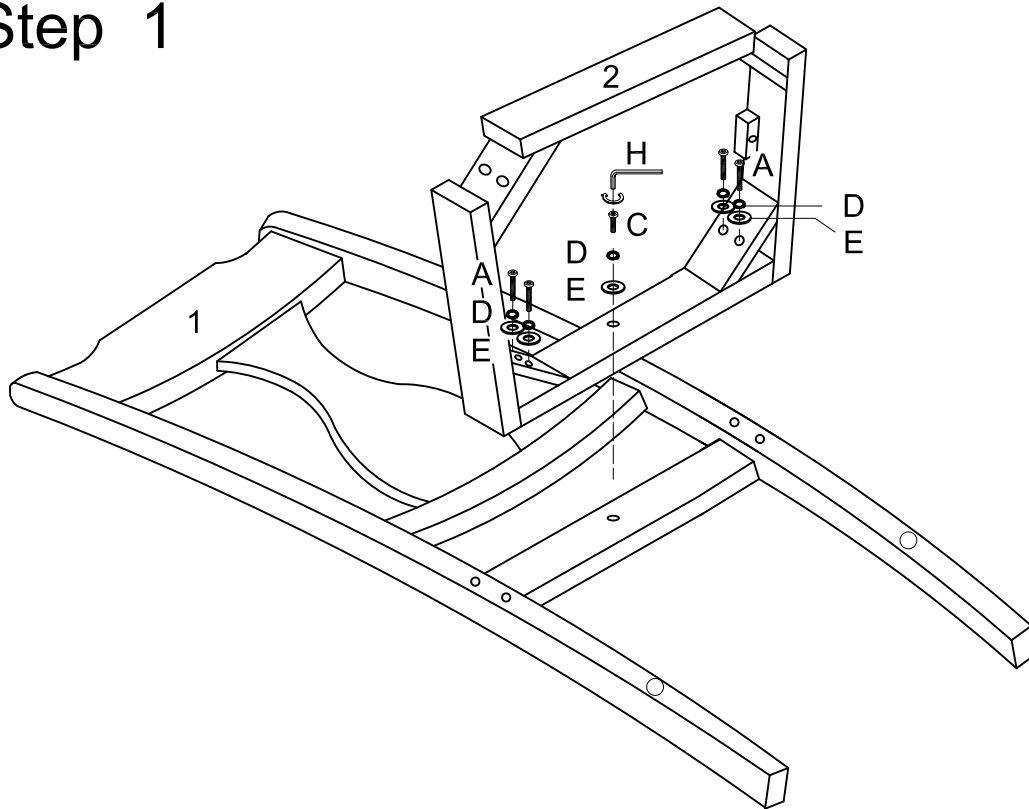
A		M6*80	Bolt	4 pcs
B		M8*60	Bolt	4 pcs
C		M6*35	Bolt	1 pc
D		Ø1 / 4 "	Spring washer	9 pcs
E		Ø1 / 4 "	Washer	9 pcs
F		M4*32	Screw	4 pcs
G		M4*38	Screw	4 pcs
H		M4	Wrench	1 pc



Philips head screwdriver required for assembly
(not included)

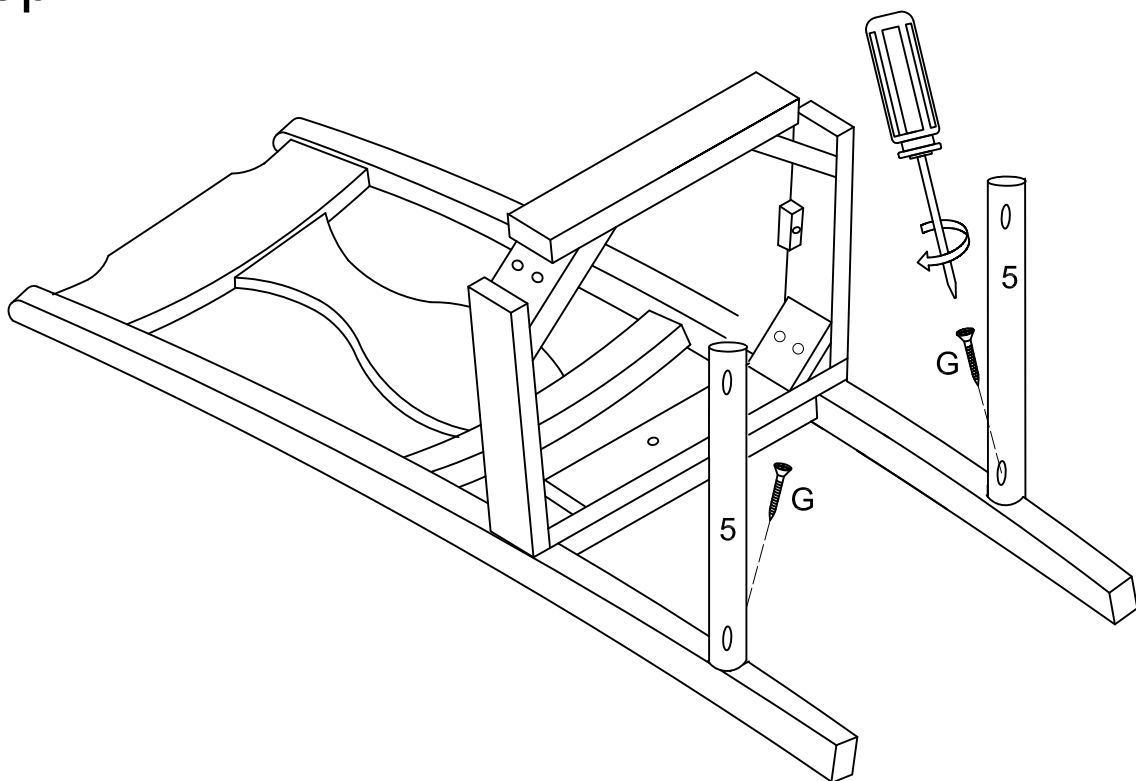
*The hardware quantities listed above are required for proper assembly.
Some extra hardware may also have been included.*

Step 1



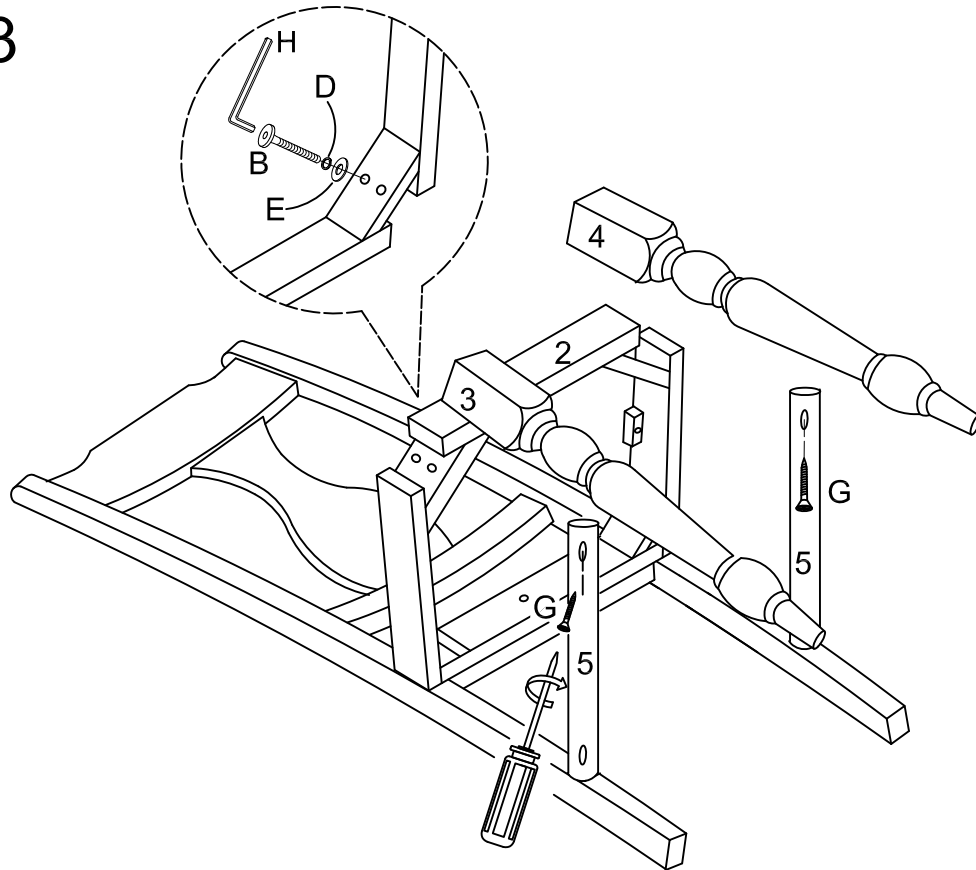
Attach seat frame (2) to chair back (1) using bolts (A) and (C), spring washers (D), and washers (E).

Step 2



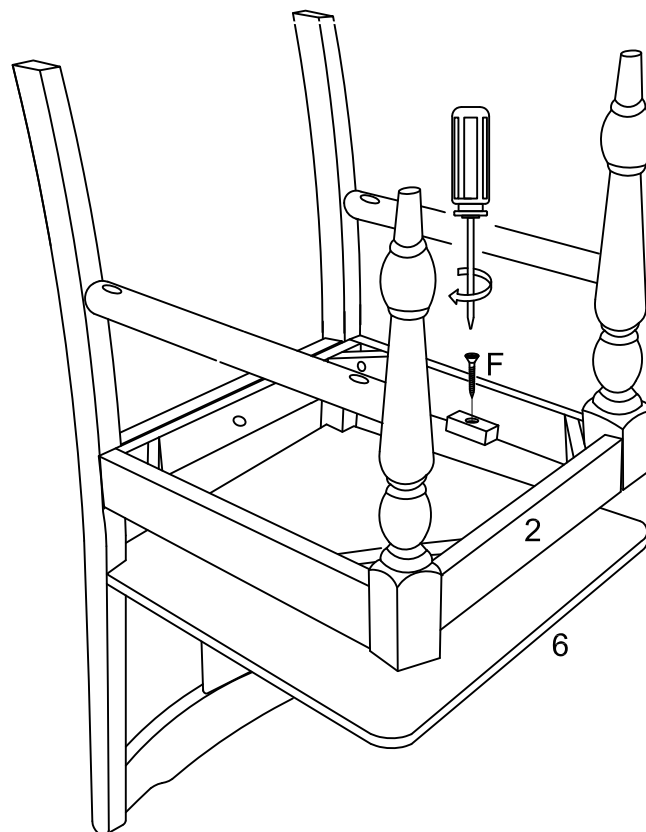
Attach leg supports (5) to chair back (1) using screws (G).

Step 3



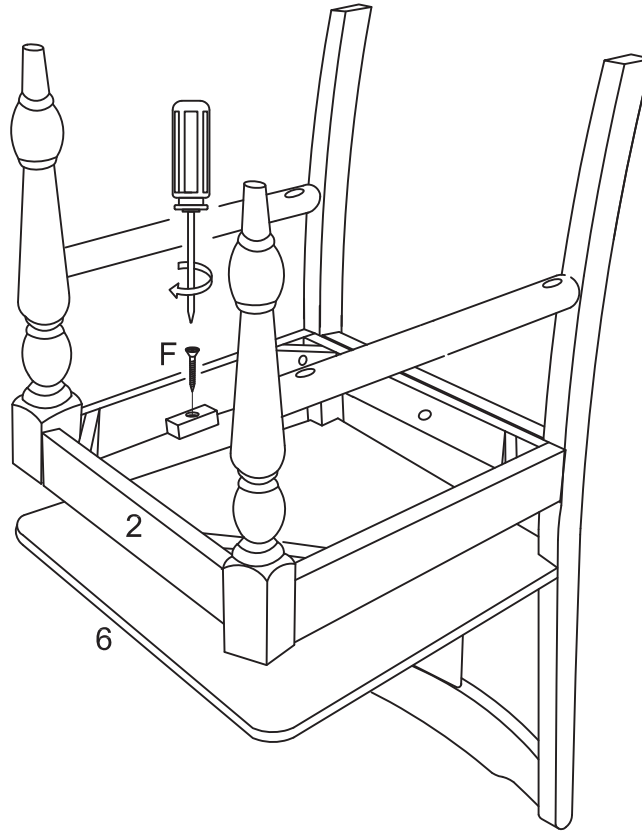
Attach legs (3) and (4) to seat frame (2) using bolts (B), spring washers (D) and washers (E). Secure leg supports (5) to legs (3) and (4) using screws (G).

Step 4



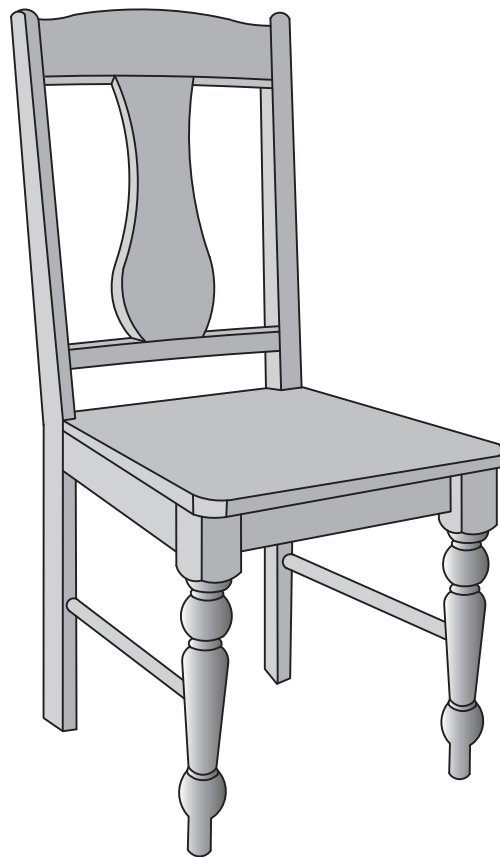
Carefully place assembled chair upside down with chair seat (6) underneath as shown above. Secure chair seat (6) to seat frame (2) using screws (F).

Step 5



Secure chair seat (6) to seat frame (2) using screws (F).

Step 6



Final Assembly