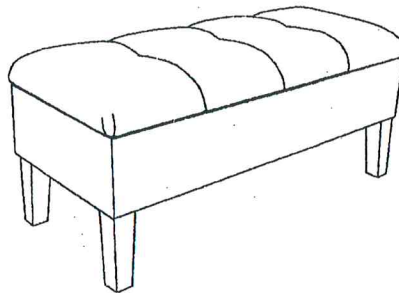




4D CONCEPT

Blackstone Storage Bench

443745



NEED ASSISTANCE ?

Call 4 D CONCEPTS directly for parts or assemble assistance

Individual stores do not stock part

Call our Toll-free number Five days a week, except holidays :

Monday through Friday 8:00am to 5:00pm

West Coast Time

1 - 888 - 310 - 4326

Important : Before calling for assistance, please have the Model number, Part number, and Packing code ready for one of our Customer Service Representatives. You will find the model number and part number on the first pages of the instruction sheet. You will find the packing code jet printed or stamped on the long side of the carton.

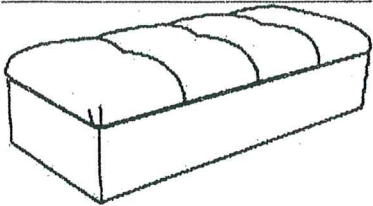

MODEL # : _____

PACKING CODE # : _____

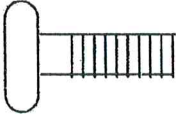

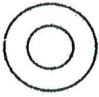

It's important that you retain the model number and the packing code along with the original receipt of purchase for future reference.

PARTS IDENTIFICATION

ITEM NO.:443745

<p>(1) 1PC</p> 	<p>(2) 4PCS</p> 
--	--

HARDWARE IDENTIFICATION

<p>A</p>		<p>5/16"x45mm</p>	<p>8PCS</p>
<p>B</p>		<p>φ8mm</p>	<p>8PCS</p>
<p>C</p>		<p>φ22mm</p>	<p>8PCS</p>
<p>D</p>		<p>φ5mm</p>	<p>1PC</p>

ITEM NO.:443745

