

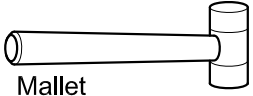
ASSEMBLY INSTRUCTIONS

ITEM : DESK CHAIR SET
ITEM # RTA-3605ST-WN

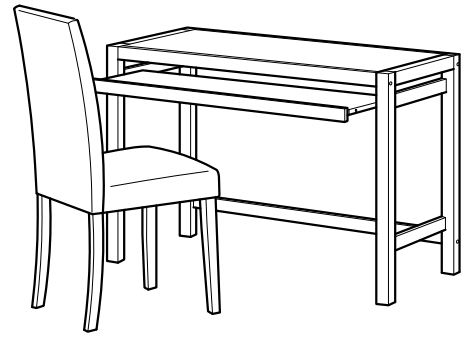
Tools Needed (Not Provided)



Screwdriver

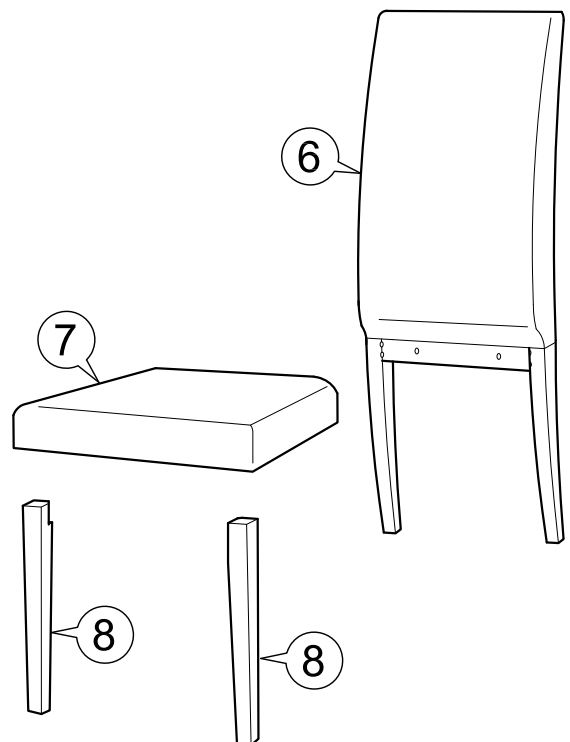
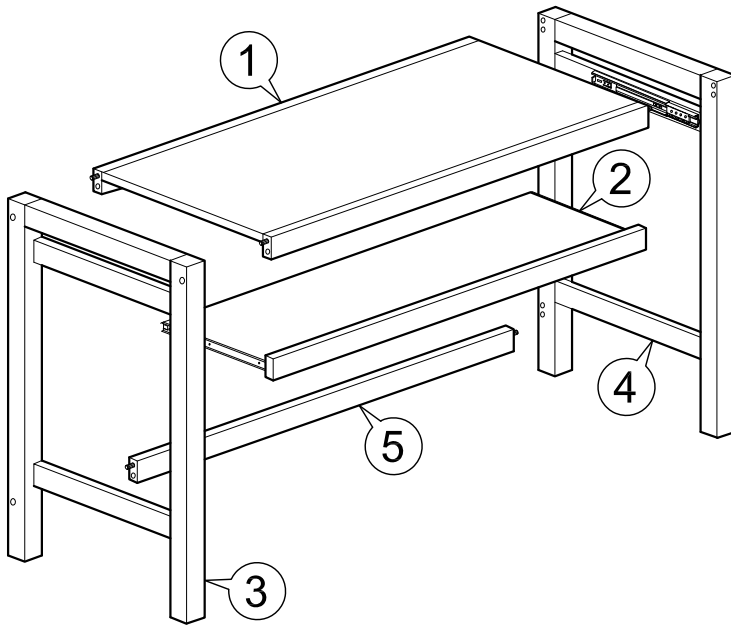


Mallet



Part List

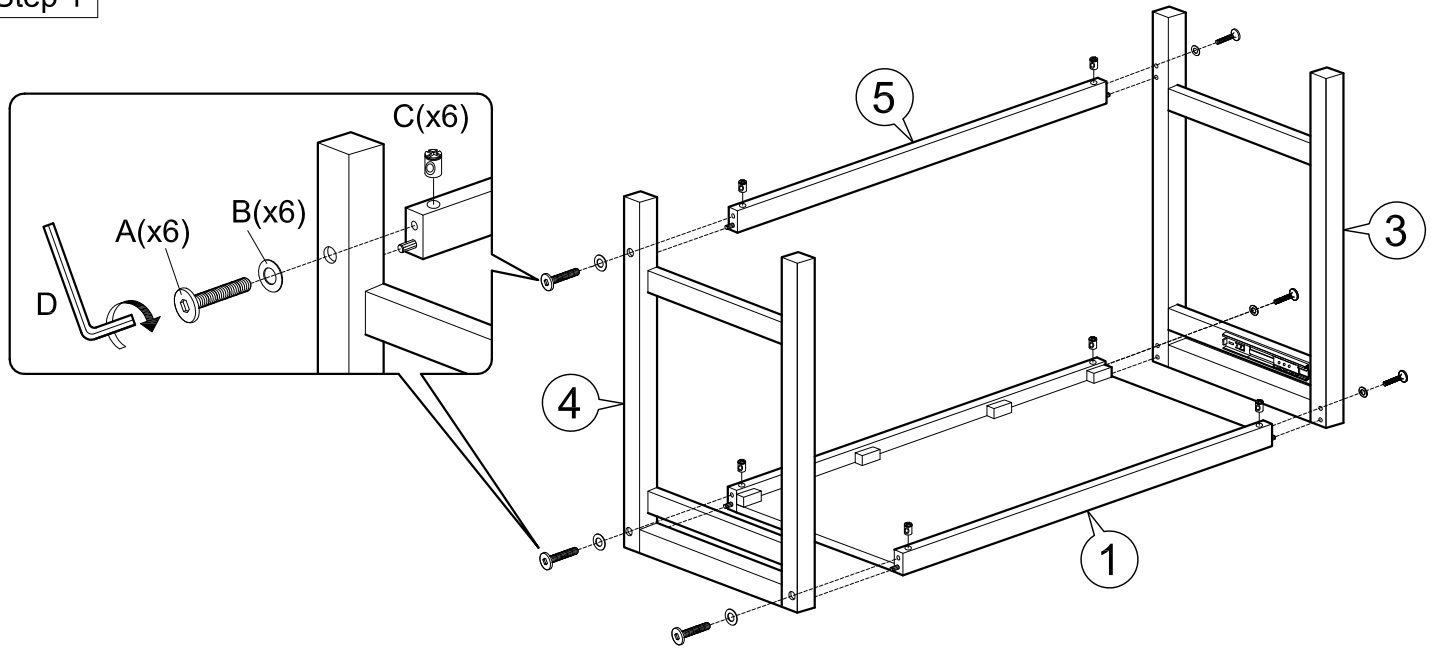
PART NUMBER	DESCRIPTION	QTY
1	Table Top	1
2	Table Tray	1
3	Left Table Leg Frame	1
4	Right Table Leg Frame	1
5	Bottom Rail	1
6	Chair Back	1
7	Chair Seat	1
8	Chair Leg	2



Hardware List

For Table		For Chair	
A (Black) 80mm = 6	D = 1	E 45mm = 2	H 1/4" = 10
B (Black) M6 x 13mm = 6		F 50mm = 4	I 1/4" = 10
C = 6		G 80mm = 4	J = 1

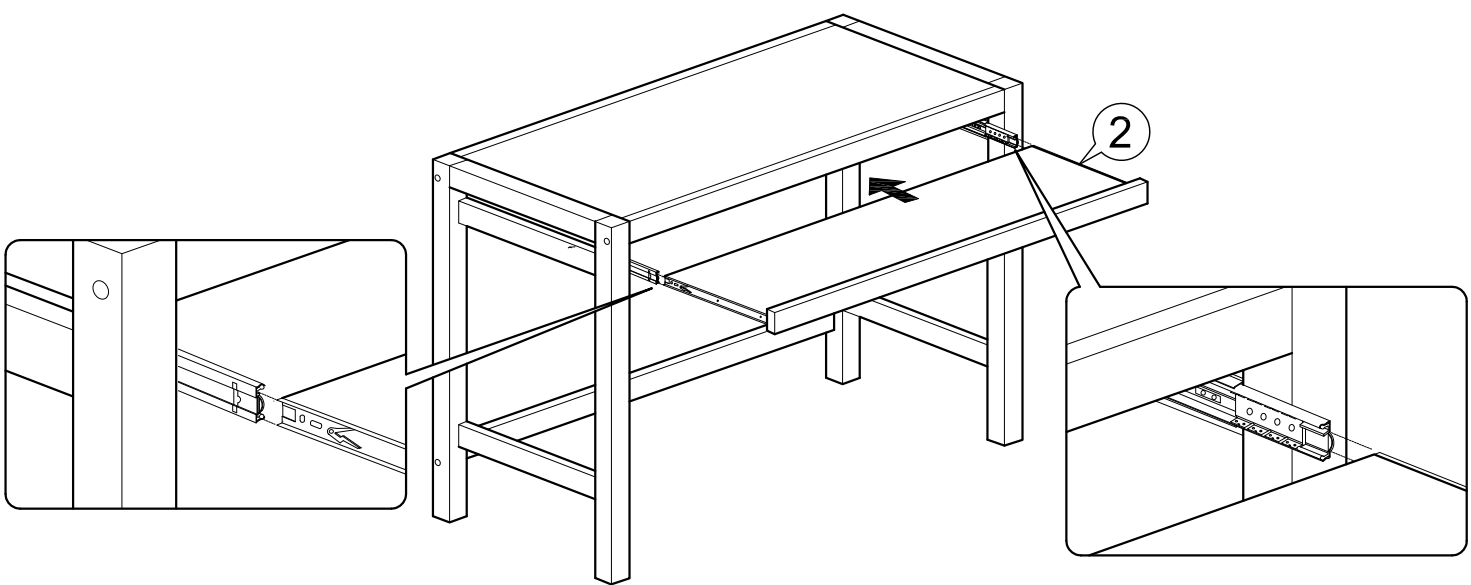
Step 1



First, assemble the Table Top 1 to the Table Leg Frames 3 & 4 using sets of hardware A, B & C. **MAKE SURE YOU ARE USING THE CORRECT HARDWARE AND DO NOT TIGHTEN ANY OF THEM YET!**

Then, assemble Bottom Rail 5 to Table Leg Frames 3 & 4 using sets of hardware A, B & C. **YOU CAN NOW TIGHTEN ALL THE BOLTS.**

Step 2

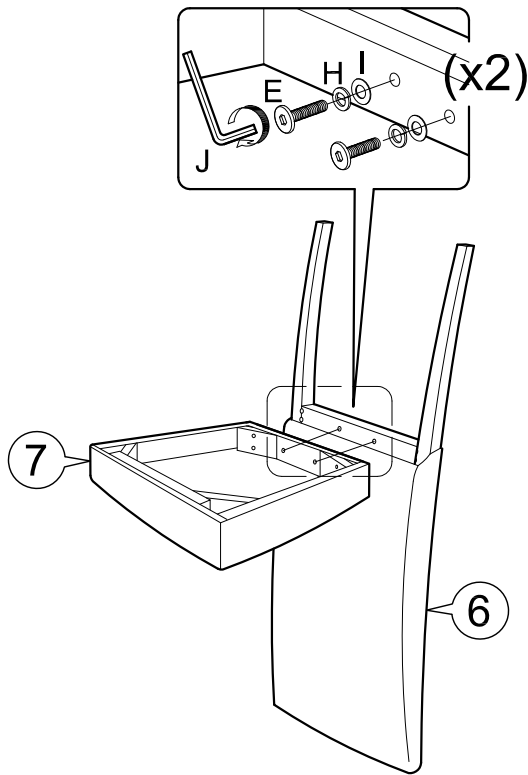


Align & slide in the table tray (2) into place, as per diagram shown.

Step 3

Assemble the Chair Seat 7 to the Chair Back 6 using sets of hardware E, H & I as shown.

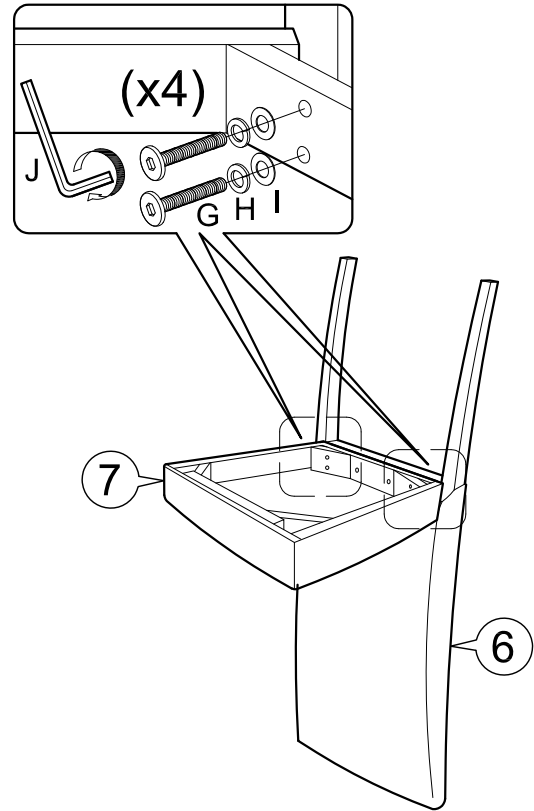
MAKE SURE TO USE THE CORRECT HARDWARE AND DO NOT TIGHTEN YET!



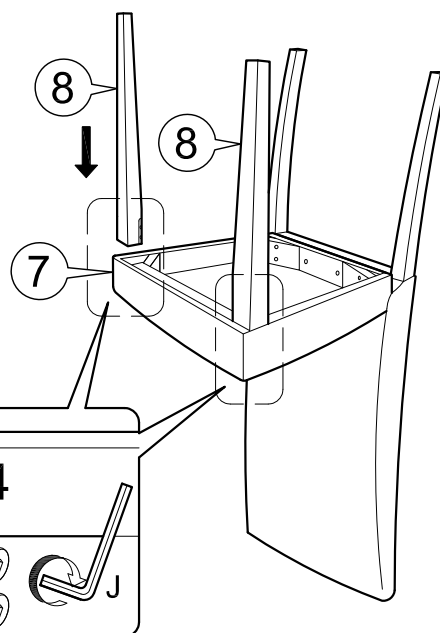
Step 4

Assemble the Chair Seat 7 to the Chair Back 6 using sets of hardware G, H & I as shown.

YOU CAN NOW TIGHTEN THE HARDWARE.



Step 5



Assemble the Chair Legs 8 to the Chair Seat 7 using sets of hardware F, H & I as shown, and tighten.